

DRYER

Repair Parts List

MODEL NUMBER

DE410

When requesting service or ordering parts, always provide the following information:

- Product Type
- Part Number
- Model Number
- Part Description

MAYTAG®

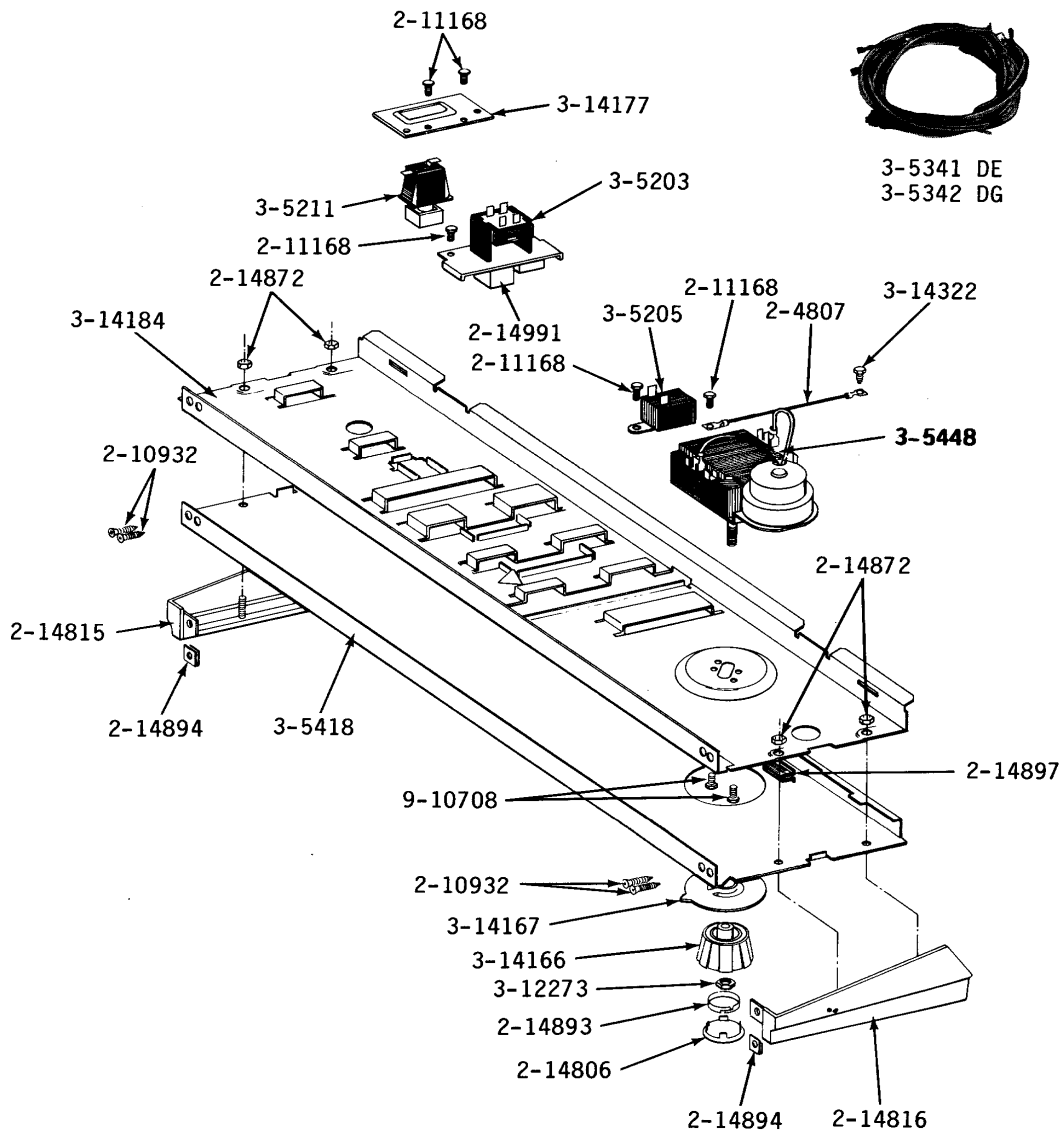
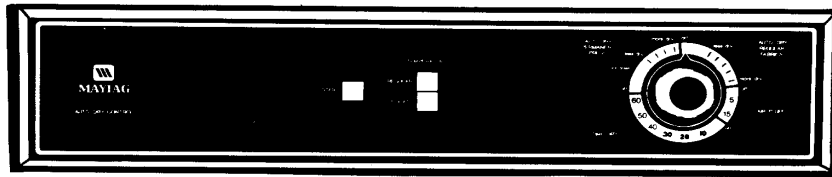
©2005 Maytag Services

Section: CONTROL PANEL

Model: DE410

MODEL DE-DG410

CONTROL PANEL



Section: CONTROL PANEL

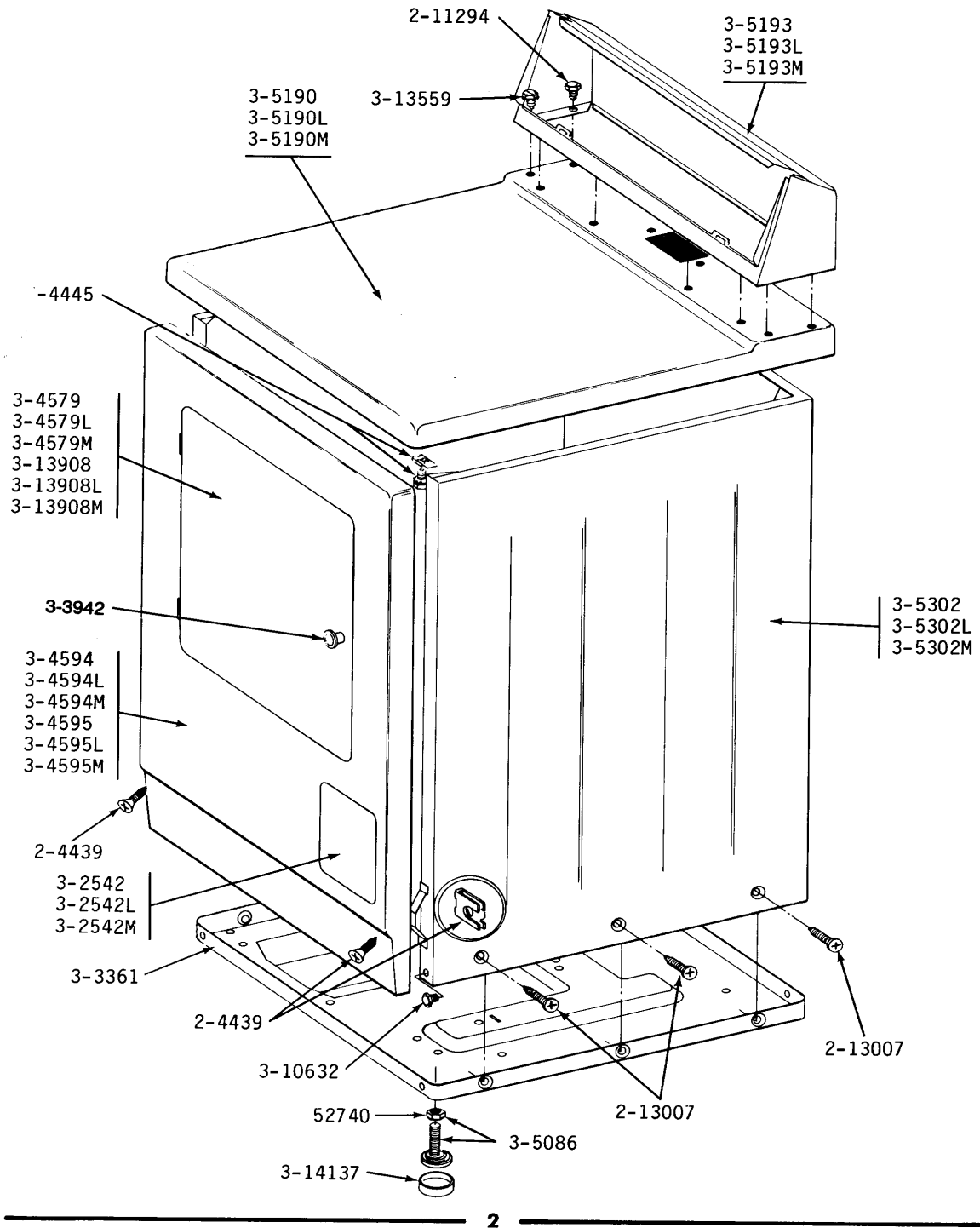
No.	Part No.	Description	Series	Qty
1	204807	GRND.WIRE,SUPP.PLTE TO TOP CVR	00	1
2	210932	SCREW, #8 X 9/16 CTSK	00	4
3	211168	SCREW, #8 X 5/16 INCH	00	5
4	214806	CAP FOR TIMER KNOB	00	1
5	N 214815	END CAP F/CONTROL PANEL-LH	00	1
6	214816	END CAP F/CONTROL PANEL-RH	00	1
7	214872	PALNUT, END CAP	00	4
8	N 214893	DETENT RING F/TIMER KNOB CA	00	1
9	214894	FASTENER, END CAP	00	1
10	N 214897	PAD, CONTROL PANEL	00	2
11	214991	BUTTON FOR SWITCH	00	1
12	N 305203	TEMPERATURE SELECTOR SWITCH	00	1
13	305205	BUZZER - NON-ADJUSTABLE	00	1
14	305211	PUSH TO START SWITCH	00	1
15	305448	TIMER	00	1
16	305341	MAIN WIRE HARNESS	00	1
17	N 305342	MAIN WIRE HARNESS Note: PART NOT USED	00	1
18	N 305418	CONTROL PANEL	00	1
19	312273	NUT	00	1
20	314166	KNOB FOR TIMER	00	1
21	N 314167	TIMER DIAL INDICATOR	00	1
22	N 314177	BRACKET FOR START SWITCH	00	1
23	N 314184	BACK UP PLATE	00	1
24	314322	SCREW, #8-32 X 3/8 INCH	00	1
25	910708	SCREW -RELAY TO TUB SUPPORT	00	2

*Color Code (-)=Not Shown #=Series, Serial Prefix or Run No., N=Not Available

Section: FRONT VIEW

Model: DE410

MODELS DE-DG110-210-410-510-610-710-810 FRONT VIEW



MA59A3

Section: FRONT VIEW

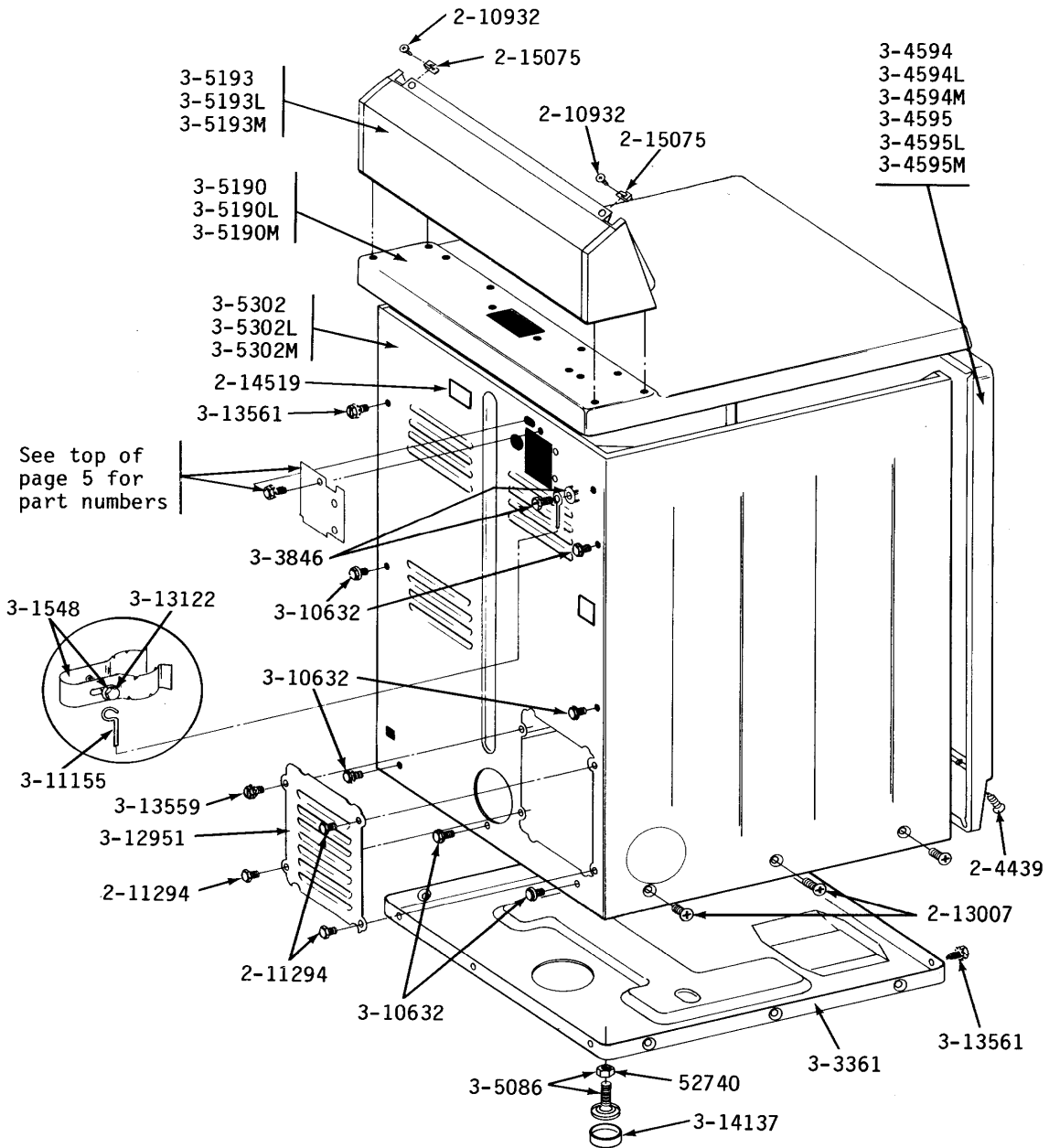
No.	Part No.	Description	Series	Qty
1	052740	NUT	00	4
2	204439	SCREW & FSTNER ASSY(FRT.PANEL)	00	2
3	204445	SCREW & FASTENER ASY.	00	2
4	211294	SCREW	00	6
5	213007	SCREW, CABINET	00	6
6	N 302542	ACCESS DOOR-WHITE Note: PART NOT USED	00	1
7	N 302542L	ACCESS DOOR-ALMOND Note: PART NOT USED	00	1
8	N 302542M	ACCESS DOOR-HARVEST WHEAT Note: PART NOT USED	00	1
9	303361	BASE ASSY.	00	1
10	N 304579	DOOR-WHITE	00	1
13	N 304594	FRONT PANEL-WHITE Note: PART NOT USED	00	1
14	N 304594L	FRONT PANEL-ALMOND Note: PART NOT USED	00	1
15	N 304594M	FRONT PANEL-HARVEST WHEAT Note: PART NOT USED	00	1
16	N 304595	FRONT PANEL-WHITE	00	1
19	305086	ADJUSTABLE LEG & NUT	00	4
20	N 305190	TOP COVER-WHITE	00	1
23	305193	CONSOLE (WHT)	00	1
26	N 305302	CABINET-WHITE	00	1
29	N 303942	KNOB AND SCREW	00	1
30	310632	SCREW	00	1
31	313559	SCREW	00	2
32	N 313908	DOOR PANEL-WHITE	00	1
35	314137	FOOT, RUBBER	00	4

*Color Code (-)=Not Shown #=Series, Serial Prefix or Run No., N=Not Available

Section: REAR VIEW

Model: DE410

MODELS DE-DG110-210-410-510-610-710-810 **REAR VIEW**



Section: REAR VIEW

No.	Part No.	Description	Series	Qty
1	052740	NUT	00	4
2	N 201808	CONVERTER Note: PART NOT USED	00	1
3	204439	SCREW & FSTNER ASSY(FRT.PANEL)	00	2
4	210932	SCREW, #8 X 9/16 CTSK	00	2
5	211294	SCREW	00	3
6	211881	GROMMET, CORD Note: PART NOT USED	00	1
7	213007	SCREW, CABINET	00	6
8	214519	LABEL, ELECTRICAL INSTRUCTION	00	1
9	215075	FASTENER,CNTRL PNL TO CONSOLE	00	2
10	301548	CLAMP, GROUND (W/SCREW)	00	1
11	302521	POWER CORD Note: PART NOT USED	00	1
12	303361	BASE ASSY.	00	1
13	303846	SCREW & WASHER ASSY.	00	1
14	N 304594	FRONT PANEL-WHITE Note: PART NOT USED	00	1
15	N 304594L	FRONT PANEL-ALMOND Note: PART NOT USED	00	1
16	N 304594M	FRONT PANEL-HARVEST WHEAT Note: PART NOT USED	00	1
17	N 304595	FRONT PANEL-WHITE	00	1
20	305086	ADJUSTABLE LEG & NUT	00	4
21	N 305190	TOP COVER-WHITE	00	1
24	305193	CONSOLE (WHT)	00	1
27	N 305302	CABINET-WHITE	00	1
-	310632	SCREW Note: SCREW, TERM. BRKT. TO CAB	00	1
30	310632	SCREW Note: SCREW, CAB. TO BASE (3) TUMBLER BACK TO CAB. (3)	00	6
31	311155	GROUND WIRE	00	1
32	311270	WASHER, TERMINAL BLOCK	00	1
33	N 311423	SCREW, #10-32 X 1/2 INCH	00	1
34	311484	NUT, TERMINAL BLOCK	00	1
35	312184	STRAP, GROUND	00	1
36	312209	SCREW, #10-24 X 3/4 INCH	00	1
37	312904	BRACKET, TERMINAL BLOCK	00	1
38	312905	COVER, TERMINAL	00	1
39	312951	COVER, ACCESS	00	1
40	313122	SCREW - BAFFLE TO TUMBLER	00	1
41	313559	SCREW	00	1
-	N 313561	SCREW----NA Note: CABINET	00	1
42	N 313561	SCREW----NA Note: SCREW,TUMBLER BACK TO CAB.(1) CABINET TO BASE (1)	00	2
43	314137	FOOT, RUBBER	00	4
44	400008	BLOCK, TERMINAL	00	1

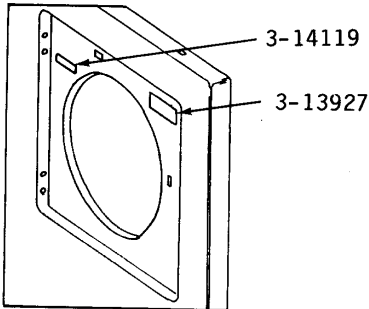
*Color Code (-)=Not Shown #=Series, Serial Prefix or Run No., N=Not Available

Section: FRONT PANEL & DOOR ASSEMBLY

Model: DE410

MODELS DE-DG110-210-410-510-610-710-810

**FRONT PANEL & DOOR ASSEMBLY
ORIGINAL & SERIES 01**



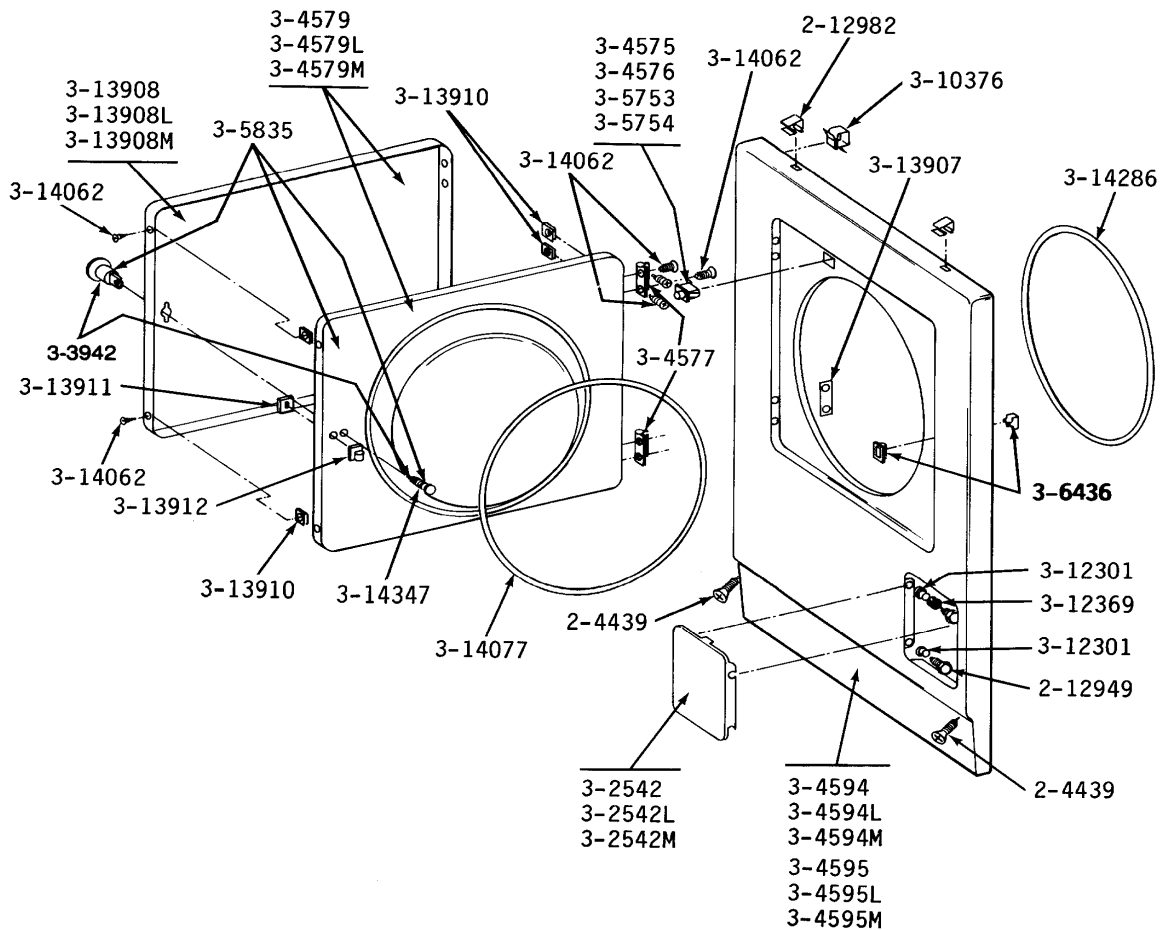
WARNING: TO AVOID HAZARD, INCLUDING SPONTANEOUS COMBUSTION DO NOT DRY ARTICLES CONTAINING FOAM RUBBER OR SIMILAR LY TESTED FURBISHED MATERIALS OR ANY MATERIAL ON WHICH YOU HAVE USED A CLEANING SOLVENT OR WHICH CONTAINS FLAMMABLE LIQUIDS OR SOLIDS (SUCH AS GASOLINE, KEROSENE, WAXES, ETC.).

CAUTION: DRY ONLY FABRICS CLEANED IN WATER. BE SURE TO CLEAN DRY FILTER BEFORE EACH LOAD. A CLOTHES DRYER PRODUCES COMBUSTIBLE LIGHT AND THE AREA AROUND THE CLOTHES DRYER SHOULD BE KEPT FREE OF OIL! THE DRYER SHOULD BE EXHAUSTED TO THE OUTSIDE.

THIS APPLIANCE IS EQUIPPED WITH AN INTERMITTENT TYPE IGNITION DEVICE.

3-13927

3-14119



Section: FRONT PANEL & DOOR ASSEMBLY

No.	Part No.	Description	Series	Qty
1	204439	SCREW & FSTNER ASSY(FRT.PANEL)	00	2
2	212949	SCREW Note: PART NOT USED	00	4
3	212982	FASTENER, PANEL	00	2
4	N 302542	ACCESS DOOR-WHITE Note: PART NOT USED	00	1
5	N 302542L	ACCESS DOOR-ALMOND Note: PART NOT USED	00	1
6	N 302542M	ACCESS DOOR-HARVEST WHEAT Note: PART NOT USED	00	1
7	304575	DOOR SWITCH	00	1
8	304576	DOOR SWITCH Note: PART NOT USED	00	1
9	N 304577	DOOR HINGE	00	2
10	306436	DOOR LATCH KIT	00	1
11	N 304579	DOOR-WHITE	00	1
14	N 304594	FRONT PANEL-WHITE Note: PART NOT USED	00	1
15	N 304594L	FRONT PANEL-ALMOND Note: PART NOT USED	00	1
16	N 304594M	FRONT PANEL-HARVEST WHEAT Note: PART NOT USED	00	1
17	N 304595	FRONT PANEL-WHITE	00	1
20	305753	SWITCH, DOOR	01	1
21	305754	SWITCH, DOOR Note: PART NOT USED	01	1
22	N 305835	INNER DOOR WITH KNOB & SCRE	00	1
23	N 303942	KNOB AND SCREW	00	1
24	310376	CLIP, WIRE HARNESS	00	1
25	N 312301	BUSHING FOR ACCESS STUD Note: PART NOT USED	00	1
26	312369	SLEEVE-ACCESS PANEL STUD Note: PART NOT USED	00	1
27	313907	TWIN FASTENER	00	2
28	N 313908	DOOR PANEL-WHITE	00	1
31	313910	CLIP, DOOR LINER TO OUTER PNL	00	6
32	313911	DOOR STRIKE RETAINER	00	1
33	313912	DOOR STRIKE	00	1
34	313927	INSTRUCTION LABEL	00	1
35	314062	SCREW	00	10
36	314077	DOOR SEAL	00	1
37	N 314119	GAS IGNITION LABEL	00	1
38	314286	SEAL FOR FRONT PANEL	00	1
39	N 314347	SCREW FOR DOOR KNOB----NA	00	1

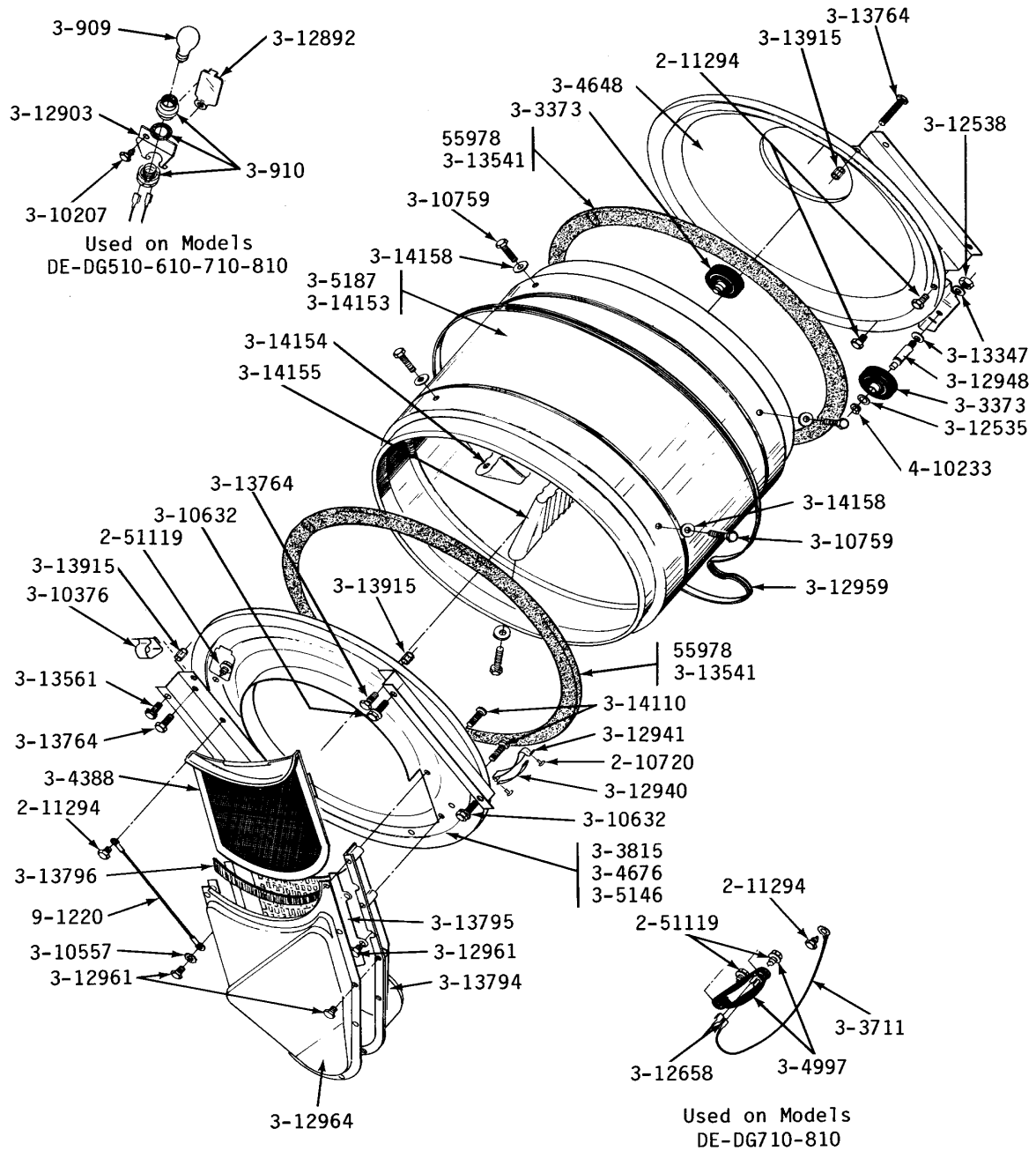
*Color Code (-)=Not Shown #=Series, Serial Prefix or Run No., N=Not Available

Section: LINT SCREEN, TUMBLER (FRONT & BACK)

Model: DE410

MODELS DE-DG110-210-410-510-610-710-810

LINT SCREEN, TUMBLER, TUMBLER FRONT & TUMBLER BACK



Section: LINT SCREEN, TUMBLER (FRONT & BACK)

No.	Part No.	Description	Series	Qty
1	055978	RUBBER ADHESIVE, 2 OZ TUBE	00	1
2	210720	RIVET	00	1
3	211294	SCREW Note: PART NOT USED	00	3
4	251119	SCREW Note: PART NOT USED	00	2
5	300909	APPLIANCE BULB - 40 WATT Note: PART NOT USED	00	1
6 N	300910	RECEPTACLE Note: PART NOT USED	00	1
7	303373	BEARING & ROLLER ASSEMBLY	00	1
8	303711	SENSOR GROUND WIRE Note: PART NOT USED	00	1
9	303815	TUMBLER FRONT----SUB	00	1
10 N	304388	LINT SCREEN	00	1
11 N	304648	TUMBLER BACK WITH SEAL	00	1
12	304676	TUMBLER FRONT ASSEMBLY Note: PART NOT USED	00	1
13	304997	SENSOR ASSEMBLY WITH SCREWS Note: PART NOT USED	00	1
14 N	305146	TUMBLER FRONT ASSEMBLY Note: PART NOT USED	00	1
15	305187	TUMBLER	00	1
16	310207	SCREW, #6 X 1/4 INCH Note: PART NOT USED	00	1
17	310376	CLIP, WIRE HARNESS	00	1
18	310557	WASHER	00	1
19	310632	SCREW	00	3
20	310759	SCREW	00	1
21	312535	WASHER, ROLLER SHAFT	00	1
22	312538	NUT, ROLLER SHAFT	00	1
23	312658	RECEPTACLE, SENSOR GROUND WIRE Note: PART NOT USED	00	1
24 N	312892	LENS Note: PART NOT USED	00	1
25 N	312903	LAMP BRACKET Note: PART NOT USED	00	1
26	312940	BEARING PAD F/TUMBLER FRONT	00	1
27	312941	BEARING FOR TUMBLER FRONT	00	2
28	312948	SHAFT, TUMBLER ROLLER	00	1
29	312959	BELT, TUMBLER & MOTOR	00	1
30	312961	SCREW	00	8
31	312964	OUTLET DUCT - OUTER HALF	00	1
32	313347	WASHER, SPRING (ROLLER SHAFT)	00	1
33	313541	TUMBLER SEAL	00	1
34 N	313561	SCREW----NA	00	1
35 N	313764	SCREW	00	4
36 N	313794	OUTLET GRID AND DUCT	00	1
37	313795	GUIDE FOR LINT SCREEN	00	1
38	313796	LINT SEAL	00	1
39 N	313915	COVER, THREAD	00	4
40	314110	SCREW, INLET DUCT	00	4
41 N	314153	TUMBLER	00	1
42 N	314154	TUMBLER BAFFLE - SHORT	00	1
43	314155	TUMBLER BAFFLE - TALL	00	2
44	314158	WASHER	00	6
45	410233	RING, RETAINING	00	1
46	901220	WIRE, GROUND	00	1

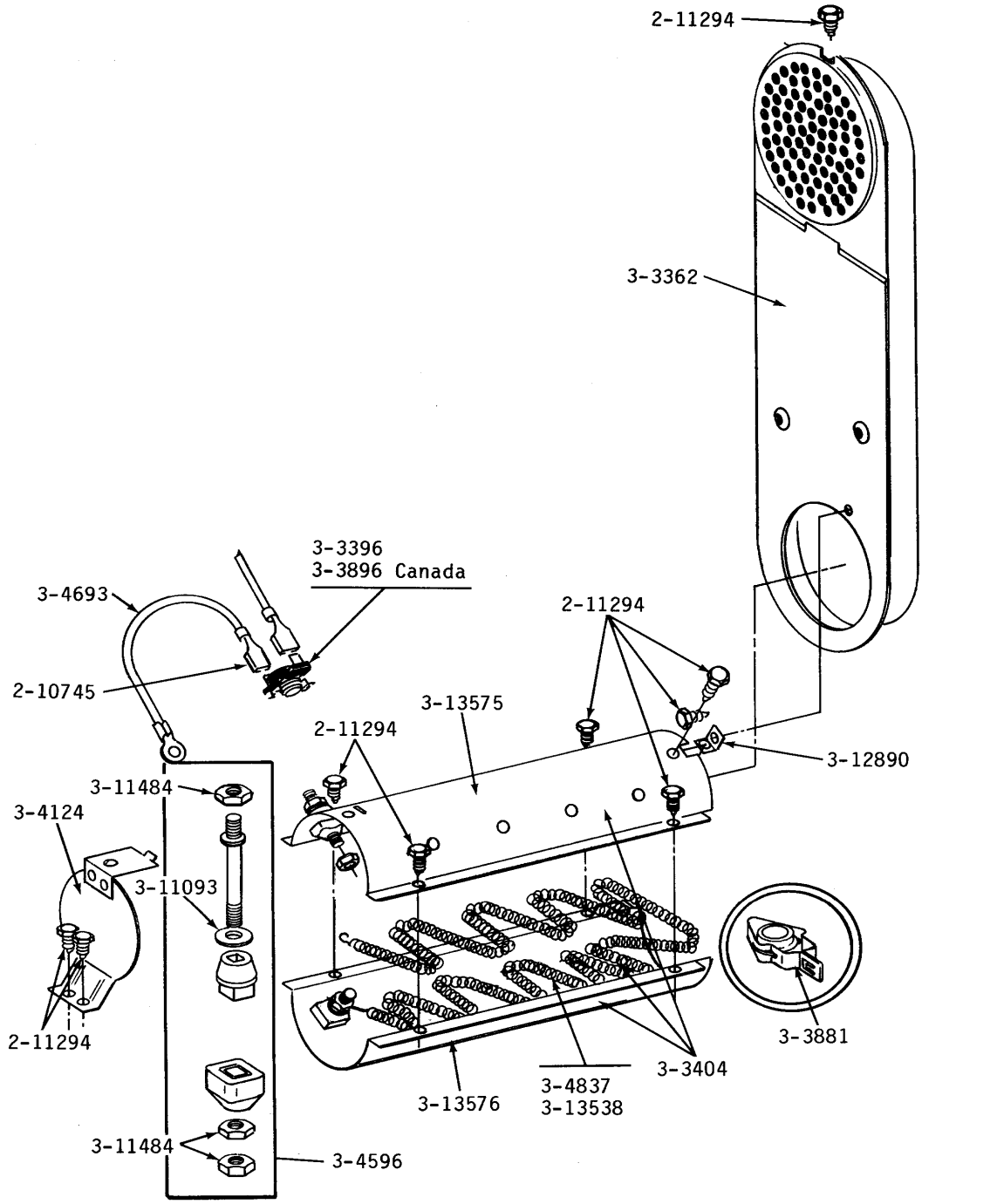
*Color Code (-)=Not Shown #=Series, Serial Prefix or Run No., N=Not Available

Section: INLET DUCT & HEATER ASSEMBLY

Model: DE410

MODELS DE110-210-410-510-610-710-810

INLET DUCT & HEATER ASSEMBLY



Section: INLET DUCT & HEATER ASSEMBLY

No.	Part No.	Description	Series	Qty
1	210745	WIRE TERMINAL	00	1
2	211294	SCREW	00	10
3	303362	INLET DUCT ASSEMBLY - DE	00	1
4	303396	THERMOSTAT, HI-LIMIT (ELEC)	00	1
5	303404	HEATER ASSEMBLY COMPLETE	00	1
6	303881	CLIP AND INSULATOR ASSEMBLY	00	17
7	303896	HI-LIMIT THERMOSTAT-CANADA	00	1
8	304124	HEATER SHIELD	00	1
9	304596	TERMINAL INSULATOR ASSEMBLY	00	2
10	304693	JUMPER WIRE	00	1
11	304837	HEATER ELEMENT KIT (208V)	00	1
12	311093	WASHER, 7/32 INCH	00	1
13	311484	NUT, TERMINAL BLOCK	00	1
14	312890	RETAINER, HEATER CHAMBER	00	1
15	313576	HEATER CHAMBER, BOTTOM	00	1
15	313538	HEATER ELEMENT 240 VOLT	00	1
16	313575	HEATER CHAMBER, TOP	00	1

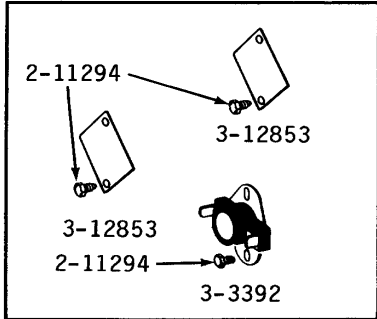
*Color Code (-)=Not Shown #=Series, Serial Prefix or Run No., N=Not Available

Section: MOTOR, BLOWER, BASE FRAME & THERMOSTATS

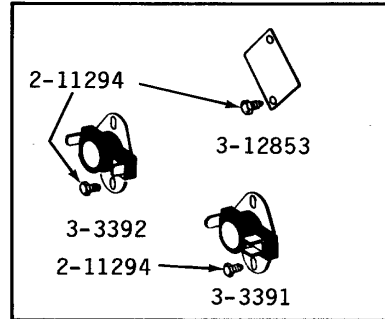
Model: DE410

MODELS DE-DG110-210-410-510-610-710-810

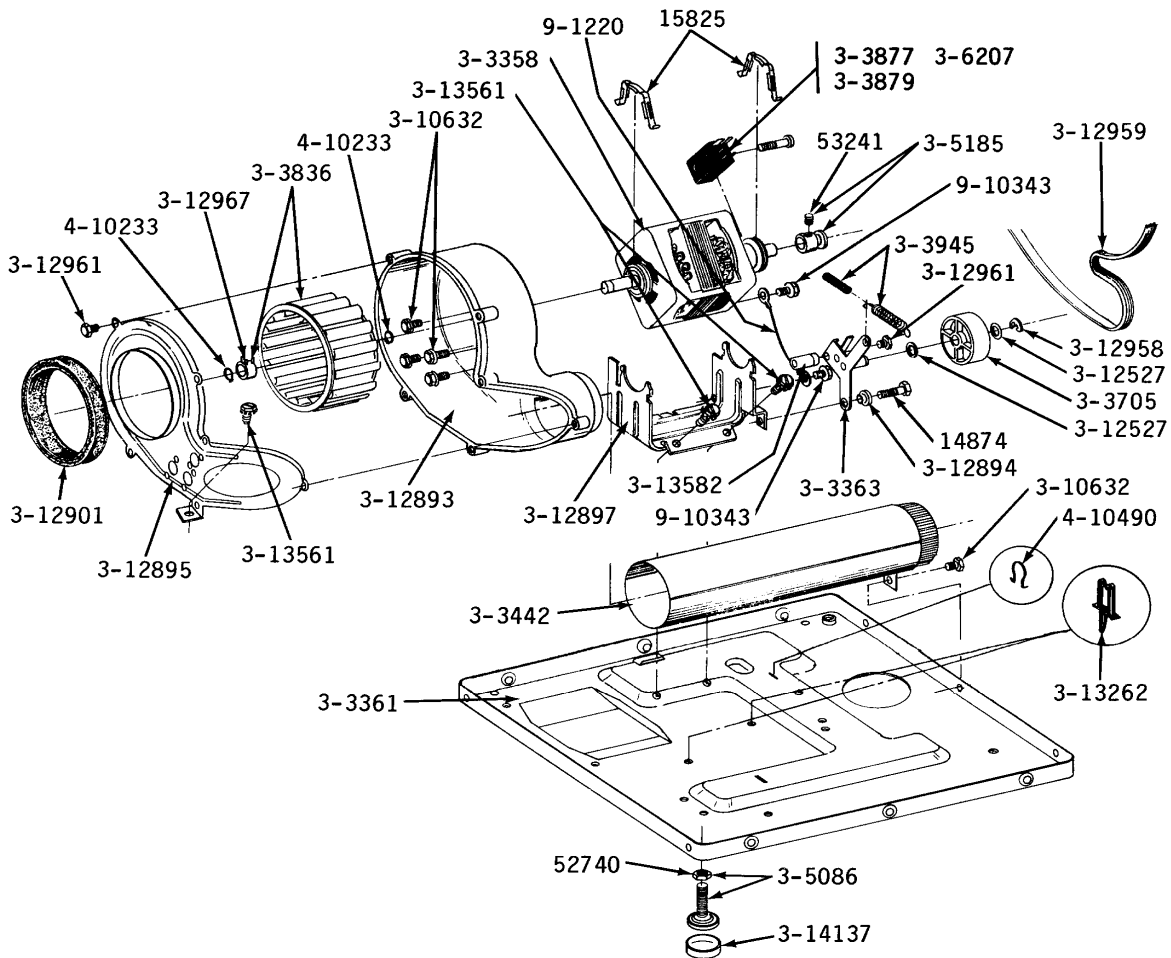
MOTOR, BLOWER, BASE FRAME & THERMOSTATS



MODEL DE-DG110
THERMOSTAT



MODEL DE-DG210
THERMOSTATS



Section: MOTOR, BLOWER, BASE FRAME & THERMO

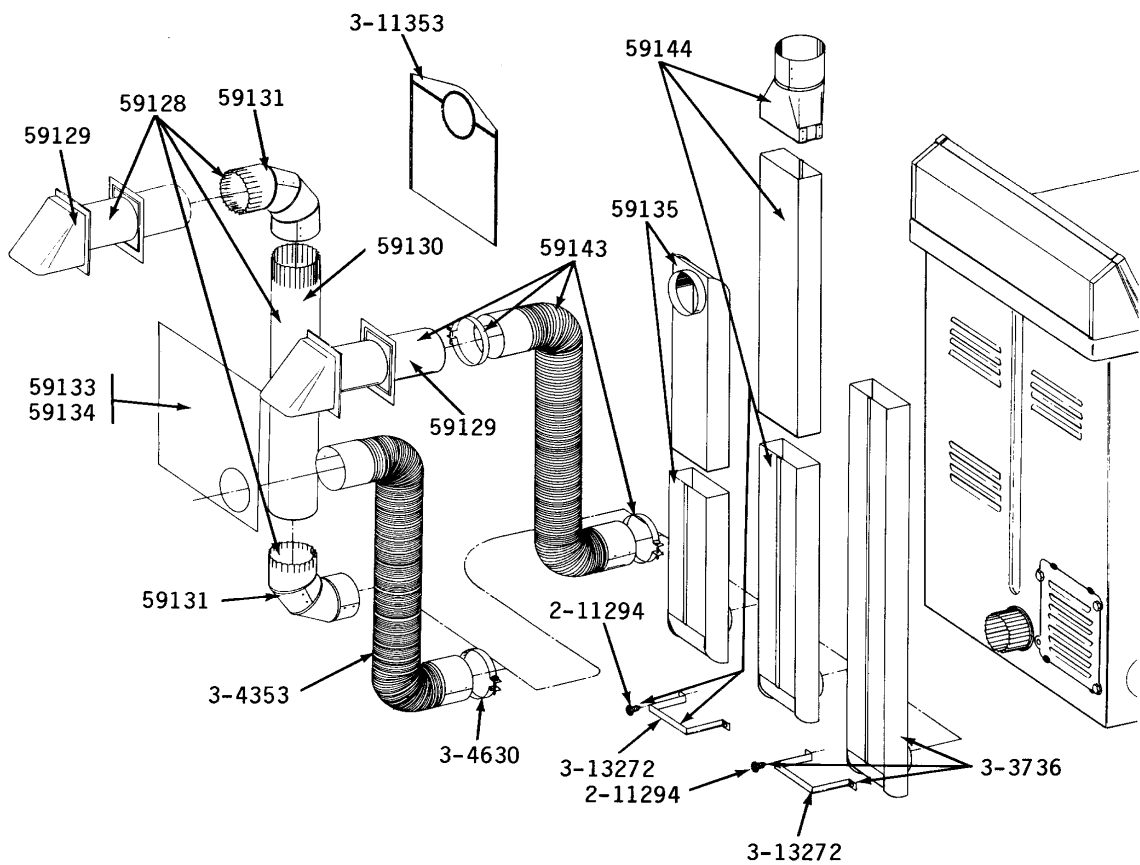
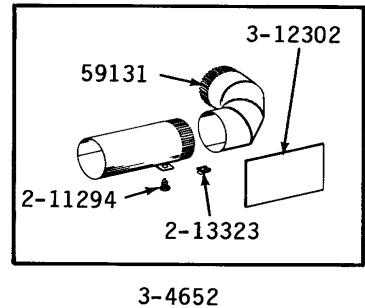
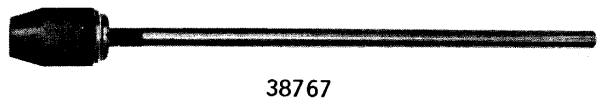
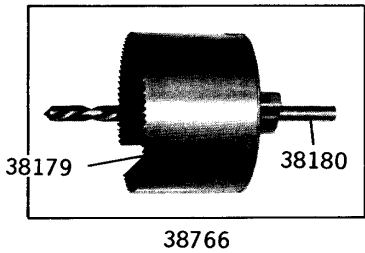
No.	Part No.	Description	Series	Qty
1	014874	SCREW	00	1
2	015825	CLIP, MOTOR	00	2
3	052740	NUT	00	4
4	053241	SET SCREW, PULLEY	00	1
5	211294	SCREW	00	2
6	303358	MOTOR	00	1
7	303361	BASE ASSY.	00	1
8	303363	IDLER ARM & SHAFT ASSY.	00	1
9	303391	CYCLING THERMOSTAT 155 DEG. Note: PART NOT USED	00	1
10	303392	CYCLING THERMOSTAT 140 DEG. Note: PART NOT USED	00	1
11	303394	COOL-DOWN THERMOSTAT Note: PART NOT USED	00	1
12	303442	EXHAUST DUCT ASSY.	00	1
13	303705	PULLEY, IDLER	00	1
14	303836	BLOWER WHEEL ASSEMBLY & CLAMP	00	1
15	303877	SWITCH, MOTOR Note: PROD.#3-3358-2, #3-3358-4 & #3-3358-7	00	1
16	303879	SWITCH, MOTOR STARTPROD. Note: SWITCH, MOTOR START PROD. #3-3358 & #3-3358-6	00	1
17	303945	IDLER SPRING ASSEMBLY	00	1
18	304474	CYCLING THERMOSTAT 150 DEG. Note: CYCLING THERMOSTAT-150 DEG.	00	1
19	304475	CYCLING THERMOSTAT 140 DEG. Note: CYCLING THERMOSTAT-140 DEG.	00	1
20	305086	ADJUSTABLE LEG & NUT	00	4
21	305185	PULLEY, MOTOR (W/SET SCREW)	00	1
22	310632	SCREW	00	5
23	N 306207	SWITCH, MOTOR START-PROD. Note: SWITCH, MOTOR START PROD. #3-3358-8 & #3-3358-9	00	1
24	312527	WASHER, IDLER SHAFT (QTY-1)	00	1
25	N 312853	COVER FOR THERMOSTAT OPENIN	00	1
26	312893	HOUSING, BLOWER	00	1
27	N 312894	SLEEVE, IDLER ARM	00	1
28	N 312895	COVER FOR BLOWER----NA	00	1
29	N 312897	SUPPORT, MOTOR	00	1
30	312901	SEAL, BLOWER	00	1
31	312958	RETAINING RING, IDLER SHAFT	00	1
32	312959	BELT, TUMBLER & MOTOR	00	1
33	312961	SCREW	00	7
34	312967	CLAMP, BLOWER HOUSING	00	1
35	N 313262	RETAINER, WIRE HARNESS	00	3
36	N 313561	SCREW----NA	00	3
37	313582	SPACER, IDLER BRACKET	00	1
38	314137	FOOT, RUBBER	00	4
39	410233	RING, RETAINING	00	3
40	410490	SPRING, WIRE HARNESS	00	1
41	901220	WIRE, GROUND	00	1
42	910343	SCREW, GROUND WIRE	00	2

*Color Code (-)=Not Shown #=Series, Serial Prefix or Run No., N=Not Available

Section: INSTALLATION ACCESSORIES

Model: DE410

ALL MODELS INSTALLATION ACCESSORIES



Section: INSTALLATION ACCESSORIES

No.	Part No.	Description	Series	Qty
1	N 038179	BLADE, SAW	00	1
2	N 038180	REPLACEMENT DRILL	00	1
3	N 038766	HOLE SAW W/DRILL BIT	00	1
4	N 038767	EXTENSION CHUCK, DRILL	00	1
5	N 059128	STANDARD 4" VENT KIT	00	1
6	059129	HOOD, VENT	00	1
7	059130	PIPE, VENTING	00	1
8	059131	ELBOW, VENTING (4")	00	1
9	N 059133	ALUMINUM WINDOW 4X12X18	00	1
10	N 059134	PLATE, ALUM. WINDOW (15"X20")	00	1
11	059135	VENT DUCT ASSY.	00	1
12	059143	FLEXIBLE VENT KIT	00	1
13	N 059144	RECTANGULAR VENT KIT	00	1
14	211294	SCREW	00	2
15	213323	FASTENER, EXHAUST DUCT KIT	00	1
16	N 303736	EXHAUST DEFLECTOR KIT	00	1
17	304353	FLEXIBLE ALUMINUM VENT DUCT	00	1
18	304630	CLAMP, FLEXIBLE DUCT	00	1
19	304652	EXHAUST DUCT KIT	00	1
20	311353	BAG, LINT (DACRON)	00	1
21	312302	INSULATION, EXHAUST DUCT KIT	00	1
22	N 313272	BRACKET, EXHAUST DEFLECTOR	00	1

*Color Code (-)=Not Shown #=Series, Serial Prefix or Run No., N=Not Available

