

FRIGIDAIRE

Factory Parts Catalog

Product No.	LFFH21F7HWJ
Series	Precision
Color	white
Volts	115V
Wiring Diagram	297246001
Owner's Guide	297281400
Market	North America
Energy Guide	297089305

Frigidaire

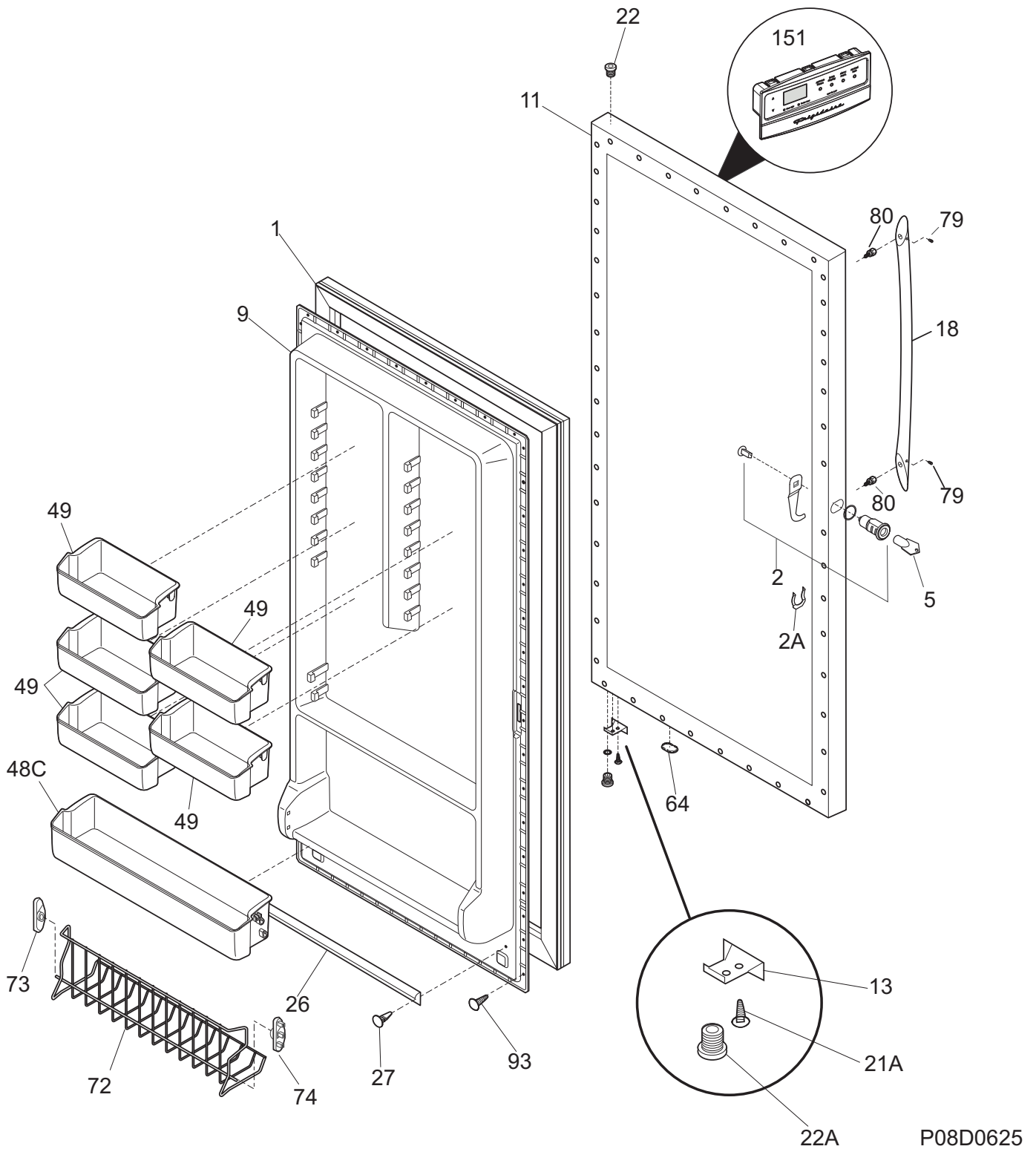
P.O. BOX 8020
CHARLOTTE, NC 28262

UPRIGHT FREEZER

Model No.
LFFH21F7HW

Publication No.
5995598322
11/08/12
(EN/SERVICE/MJW)
365

DOOR

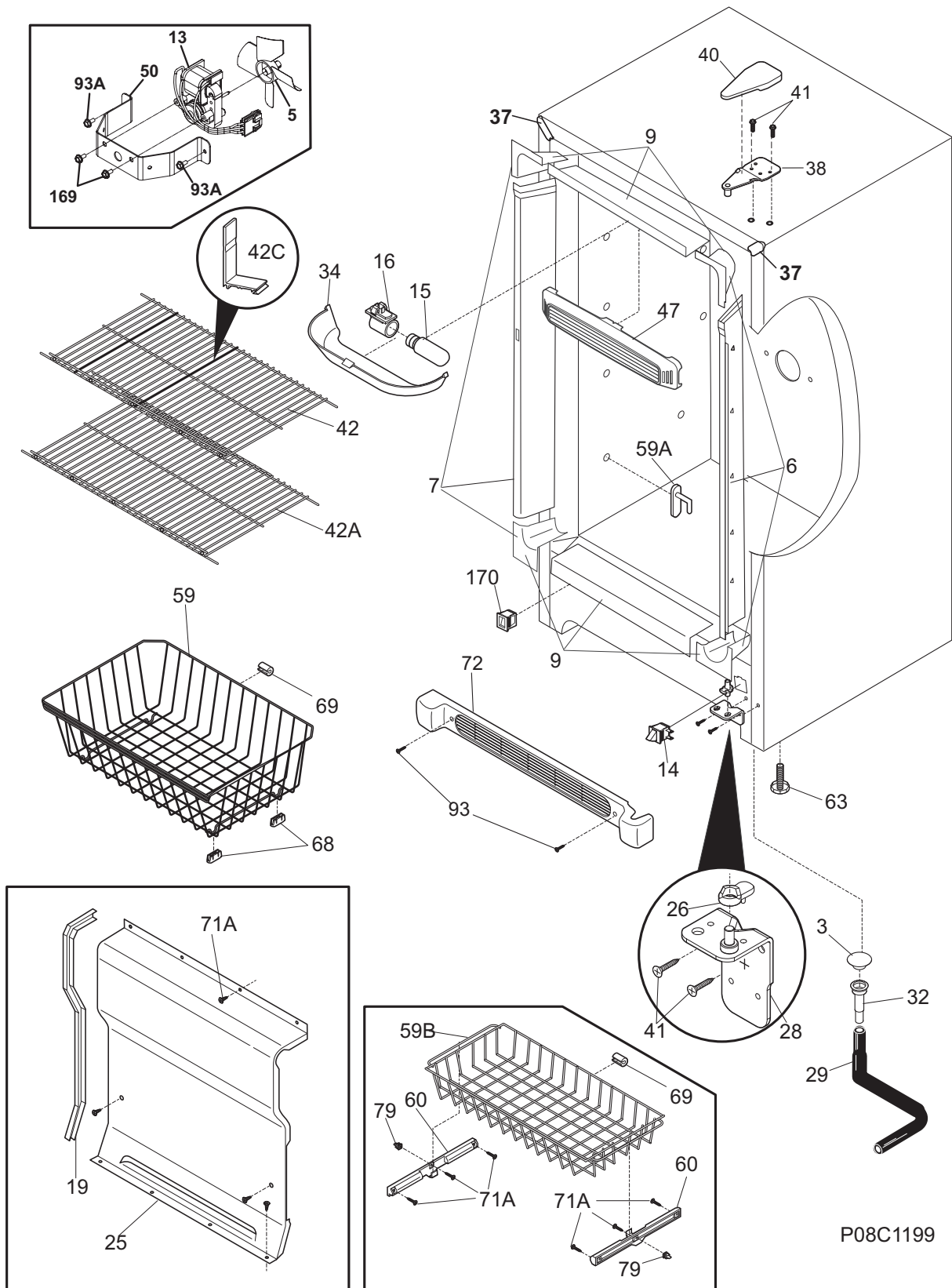


P08D0625

DOOR

POS. NO	PART NO.	DESCRIPTION
1	216522362	Gasket-door, white
2	297318600	Lock Assy
2A	297213300	Clip, spring
5	297147700	Key, lock
9	297185900	Panel-inner door, frzr
11	297352902	Panel, outer door, white
13	297257000	Door Stop, chrome, RH
18	297233820	Handle-door, white, w/set screws
*	240537301	Nut-anchor, door hdl screw
22	216970800	Bearing, hinge w/o'ring, top
21A	297197500	Screw, door stop mtg, FH38-16X.750, P Twin
22A	297006800	Bearing-hinge, btm, w/o'ring
26	216524201	Gasket, secondary
27	5304472186	Clip, panel mtg
27*	5304406520	Clip, panel mtg kit, (40)
48C	297225600	Bin-door, gallon
49	297187200	Bin-door, 2-liter
64	216403700	Plug-button, hole filler, door base
72	297186701	Shelf, tilt out, wire
73	216513900	End Cap, shelf, LH, tilt-out
74	216514000	End Cap, shelf, RH, tilt-out
79	218755402	Screw-set, 10-32 x 0.375
80	297347700	Screw, hourglass, 10-32 x .375
93	5304460605	Screw, ph truss head, 8-18AB x 0.500
151#	297366300	Control-electronic, assy, white, 115V

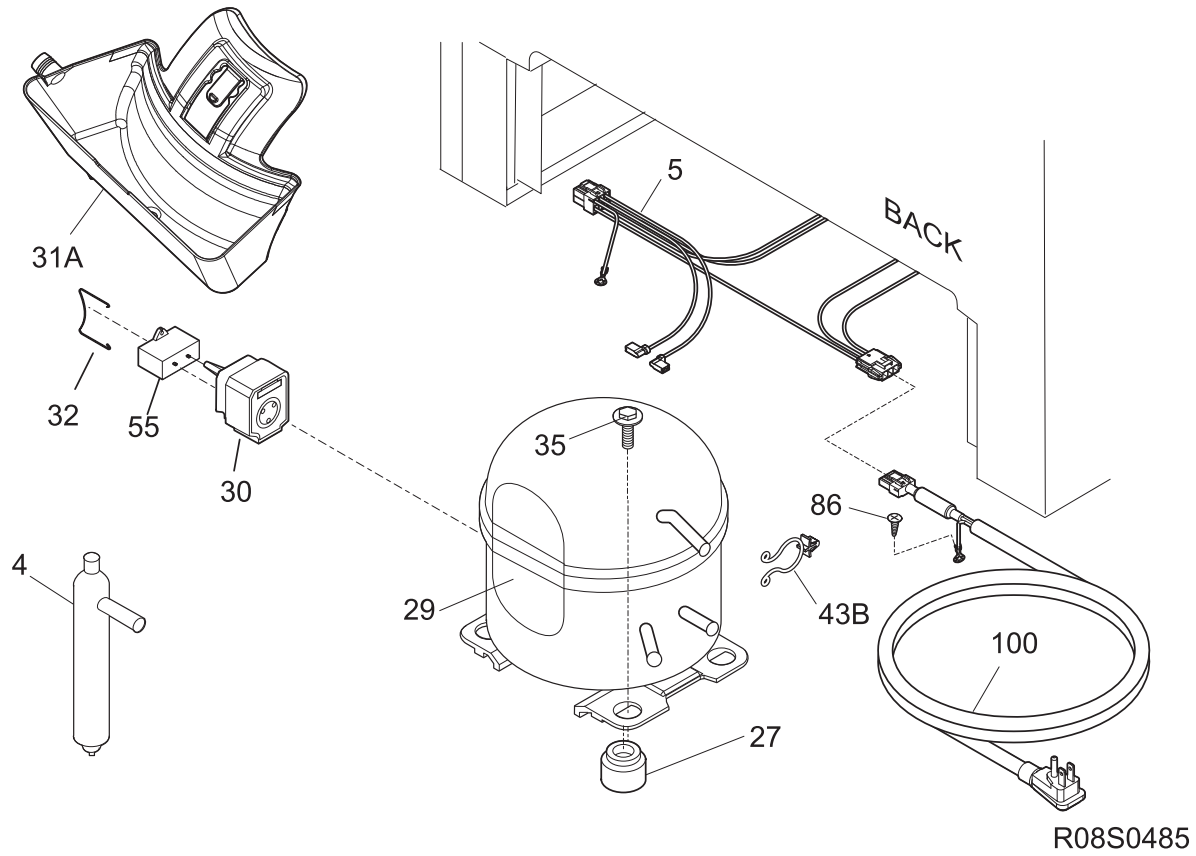
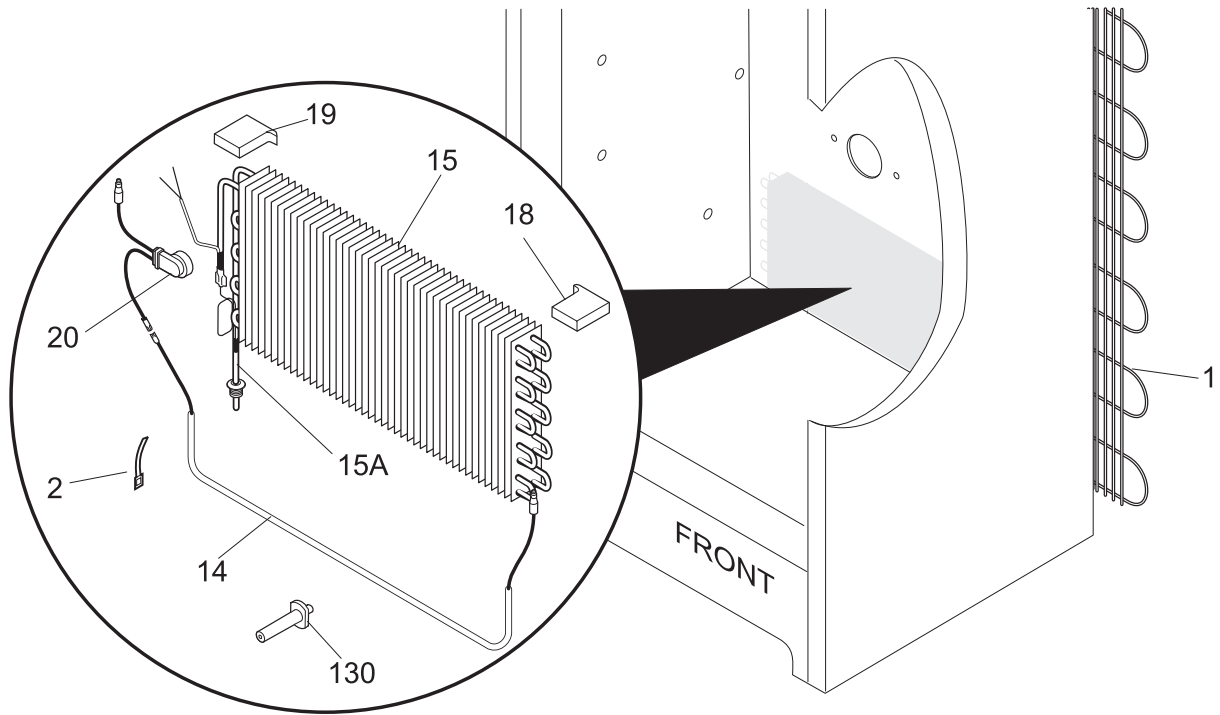
CABINET



CABINET

POS. NO	PART NO.	DESCRIPTION
3	216503100	Screen-drain
5 #	216325600	Fan Blade
6	297200900	Breaker Kit w/corners
7	297201100	Breaker Kit w/corners, lock catch
9	297200100	Breaker Kit w/corners, 32", top and bottom
13 #	297250000	Motor, fan, 115 V
14	216822900	Switch, light/lamp, ramp
15	297114000	Light Bulb, short, blue tint, 40W
16	297139500	Socket, light/lamp
19	216204902	Gasket-evap cover
25	297099251	Cover-evaporator
26	216503300	Ramp, door closer
28	297283900	Hinge-bottom, stepped pin
29	216313501	Hose-drain
32	5308005500	Drain
34	297184400	Shield-light
37	297273900	Trim-cabinet corner, white, (2)
38	297283800	Hinge-upper
40	297164400	Cover-hinge
41	297236200	Screw, tamper proof, 1/4-20 x 5/8
42	216458500	Shelf, wire, 16.69x26.88, white, (3)
42A	297119601	Shelf, 14.50x27.88
*	216502400	Grommet-shelf mtg
42C	297183702	Divider, blue, wire shelf
47	297192900	Baffle, air
50	216394050	Bracket, fan motor mount
59	297343500	Basket
59A	216486500	Stop-basket, (2)
59B	297343700	Basket
60	297013500	Slide, shelf
63	216396900	Screw, leveling foot, plastic, adjustable
63*	297164650	Bracket, LH leg levelor
63*	297164651	Bracket, RH leg levelor
68	08009560	Glide-basket
69	5305878546	Bumper-basket
71A	297146820	Screw, 8-18AB x.470 QX
72	297198900	Grille/Kickplate, 32", white
79	3017666	Nut-insert
93A	297174300	Screw, self pierce, #8, 18x.63
*	216327800	Clip, wire
169	216912401	Screw, hex washer head, 8-32 x 0.500, bracket fan mtr, (2)
170	297280400	Valve, breather
*	5303305324	Paint, touch-up, white
*	297089305	Energy Guide
*	297281200	Instructions, elect guide, Precision
*	297257400	Label, start guide
*	297001704	Insulation, 24", drain tube

SYSTEM



SYSTEM

POS. NO	PART NO.	DESCRIPTION
1 #	5300083897	Condenser
2	5308000110	Strap-evap/heater, aluminum, (2)
4	216987501	Drier-filter
5 #	297237601	Harness-main
14 #	297348700	Defrost Heater, w/thermostat, termination swt
15 #	216997300	Evaporator
15A	297217900	Heat Exchanger, suct/cap tube
18	297078701	Insulator-evap, styrofoam, RH
19	297078801	Insulator-evap, styrofoam, LH
20	297216600	Thermostat, defrost
27	5308002681	Grommet, compressor
29 #	297223500	Compressor, w/o electricals
30	216954218	Controller
31A	297217000	Pan-drain
32	216954300	Clip, controller
35	240491503	Screw-compressor mtg, 1/4-28 x 1.16, (4)
43B	297315800	Clip, wire
55	216985001	Capacitor-run, 15 MF
86	216036601	Screw, RWHD, 8-32A x 0.500, GX-CA
100#	297169904	Cord-power
130	297244700	Support, evaporator mtg
*	297018400	Thermistor
*	297014702	Plug-suction line
*	216502500	Sleeve, suction line
*	240555002	Screw-#8-32 X 3/8
*	297174300	Screw, self pierce, #8, 18x.63