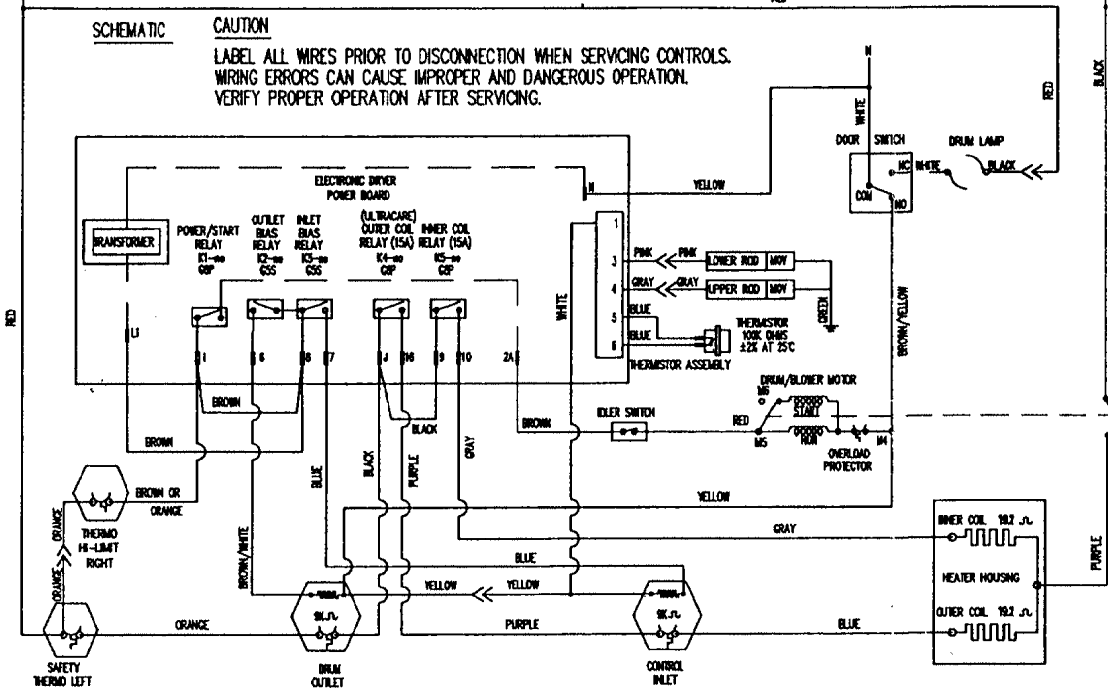


DANGER: DISCONNECT ELECTRIC POWER SUPPLY BEFORE SERVICING

SCHEMATIC

CAUTION
 LABEL ALL WIRES PRIOR TO DISCONNECTION WHEN SERVICING CONTROLS.
 WIRING ERRORS CAN CAUSE IMPROPER AND DANGEROUS OPERATION.
 VERIFY PROPER OPERATION AFTER SERVICING.



LEGEND

- SOLDER TRACES ON PC BOARD
- - - GANGED SWITCH
- - - COMMERCIAL OMITTED

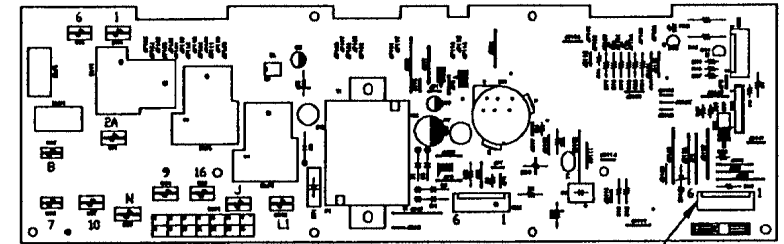
THERMOSTAT	TEMPERATURE °F		TEMPERATURE °C	
	OPEN	CLOSE	OPEN	CLOSE
BIASED DRUM OUTLET	135 ± 5	125 ± 5	57 ± 3	52 ± 3
BIASED CONTROL INLET	210 ± 5	180 ± 6	99 ± 3	82 ± 3
THERMO HI-LIMIT RIGHT	315 ± 10	250 ± 15	157 ± 6	121 ± 9
SAFETY LEFT	210 ± 5	180 ± 7	99 ± 3	82 ± 4

FIELD DIAGNOSTICS MODEL SAME AS DPS6592
 500 PUB # 31-9059

TEMPERATURE	THERMOSTATS				RELAYS				
	OUTLET	INLET	SAFETY	HI-LIMIT	POWER/START	OUTLET BIAS	INLET BIAS	OUTER COIL	INNER COIL
HIGH	0	0	A	A	X	0	X	X	X
MEDIUM	0	120	A	A	X	0	X	X	X
LOW	120	120	A	A	X	X	X	X	X
EXTRA LOW	120	120	A	A	X	X	X	TC	0
FLUFF	DC	DC	A	A	X	DC	DC	0	0

LEGEND
 = 0 VAC ACROSS THERMOSTAT BIAS
 = 120 VAC ACROSS THERMOSTAT BIAS
 A = ACTIVE
 X = CONTACTS ACTIVATED
 0 = CONTACTS DEACTIVATED
 DC = DON'T CARE
 THERMOSTAT CONTROLLED WHEN GENTLE HEAT SELECTED
 MOY = METAL OXIDE VARISTOR

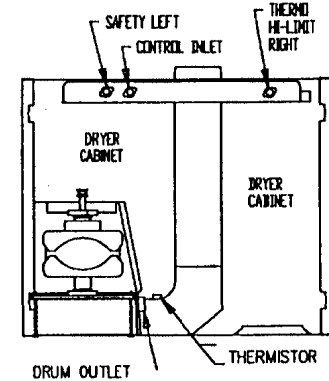
TERMINAL LAYOUT ON PCB



MODEL SELECTOR

MODEL SELECTOR CONNECTOR MATRIX CHART

MODELS	WIRE COLOR	TERMINAL POSITION
DPS6592	WHITE	1-6
DNCD450	BLACK, YELLOW	1-2-3, 4-5
DPS6519 - UPS6519-DPS6619	BLACK, WHITE	1-2-3, 5-6
DP26515	ORANGE	1-4
DN65814	BLUE	3-5
DPS6513-DPS6613	YELLOW	2-5
EED4000	YELLOW, RED	1-3, 4-5



Book 41-12 Page _____
 Pub# 31-16103
 Dwg# 212D1010P037

P037 P037 P037 P037

212D1010P037

PUB # 31-16103
 REV. 0