



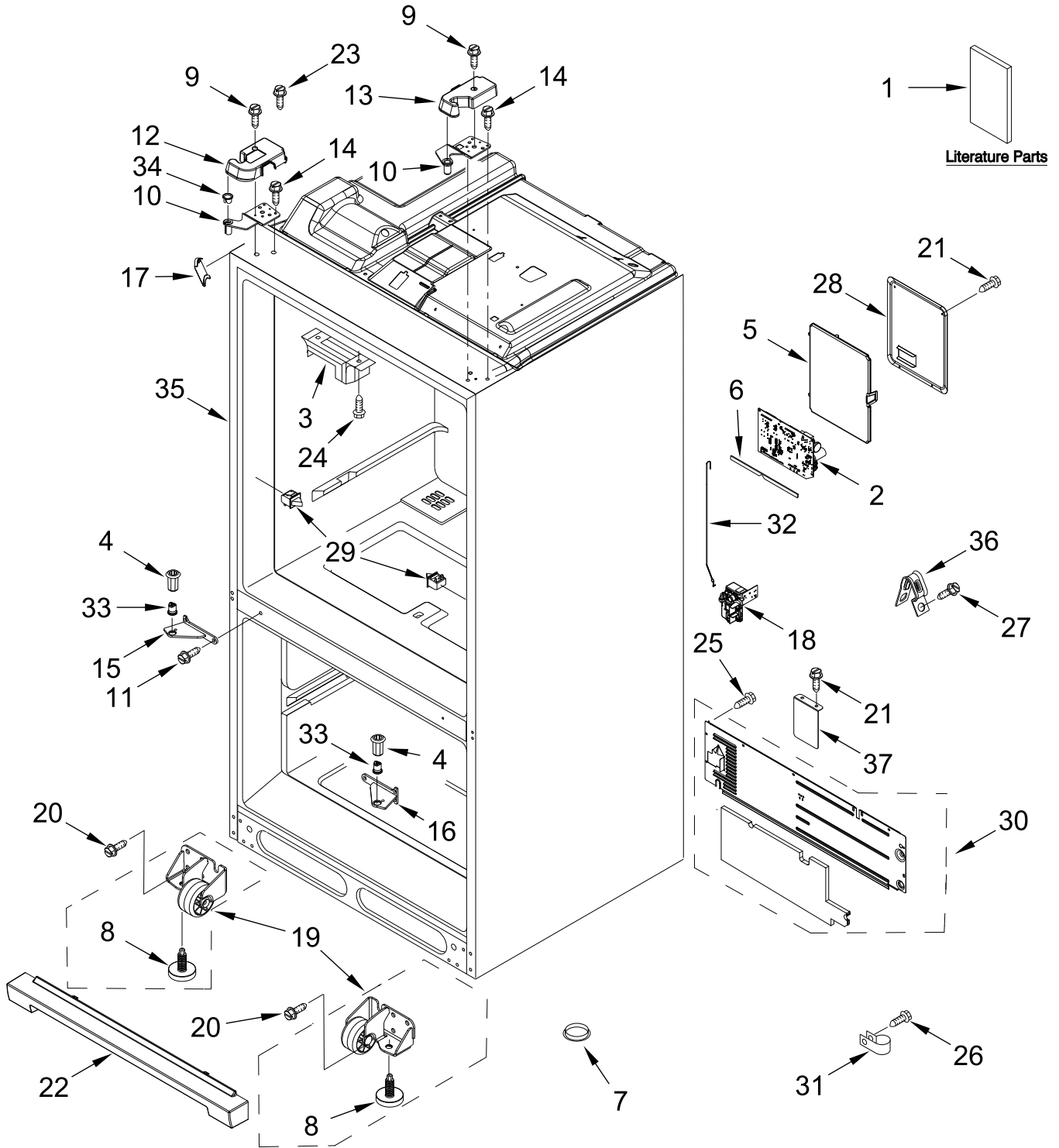
**BOTTOM MOUNT FRENCH DOOR REFRIGERATOR  
Fingerprint Resistant**

**MODELS:**

WRF767SDHZ02 (Stainless Steel)

WRF767SDHV02 (Black Stainless)

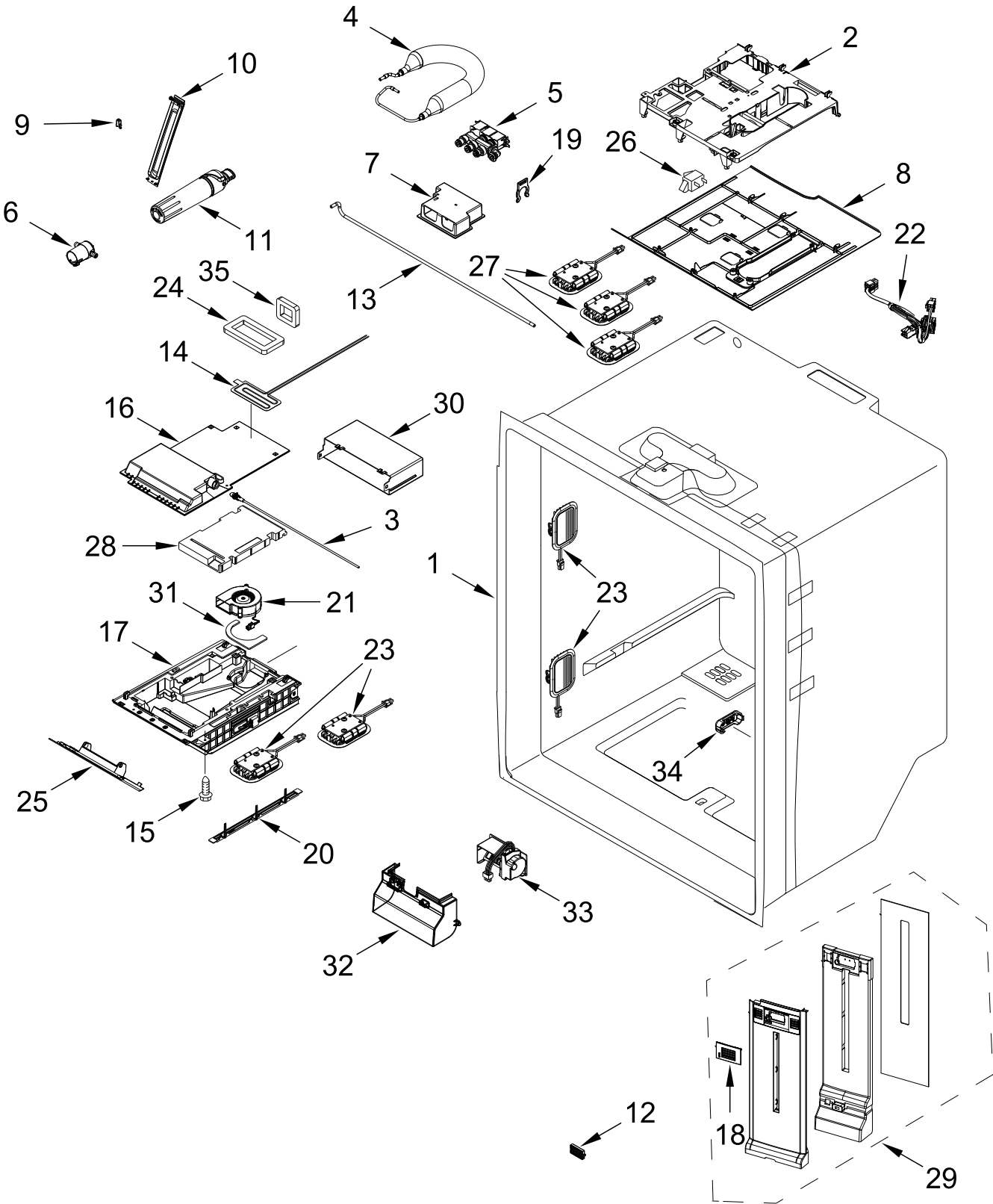
# CABINET PARTS



# CABINET PARTS

<u>Illus.</u> <u>No.</u>	<u>Part No.</u>	<u>Description</u>	<u>Illus.</u> <u>No.</u>	<u>Part No.</u>	<u>Description</u>	<u>Illus.</u> <u>No.</u>	<u>Part No.</u>	<u>Description</u>
1		Literature Parts	13		Cover, Top Hinge	23	12992601	Screw
		Tech Sheet			Right Hand	24	12990302	Screw
	W11431966	English		W10407158	Grey	25	W10141645	Screw
	W11431967	French		W10407157	Black	26	12990511	Screw
	W11362272	Wiring Diagram	14	W10731474	Screw	27	W10141645	Screw
	W11382583	Use and Care Guide	15		Hinge, Center	28	W10754144	Cover, Control Box
	W11223077	Energy Guide			Left Hand	29	W10847849	Switch, Light
2	W11161172	Board, Control		W10248706	Grey	30	W11364644	Assembly, Unit Cover
3	W10344432	Block, Pivot		W10248705	Black	31	M0108107	Clamp, Tube
4	W10694625	Door, Bottom Cam	16		Hinge, Center	32	W11296599	Tube, Water
5	W10768379	Lid, HV			Right Hand	33	W10505294	Coupler, Door
6	W10415341	Gasket, HV Box		W10248703	Grey	34	W10212137	Retainer, Door
7	A3076901	Plug, Button		W10248702	Black	35		Cabinet (Not a Servicable Part)
8	W10141622	Brake, Roller	17		Cover, Corner	36	549193	Clamp, Power Cord
9	12990521	Screw		12587703AP	Grey	37	W10336736	Cover, Roller
10		Hinge, Top		12587703B	Black			
	W10248410	Left Hand	18	W11460084	Valve, Water			
	W10248409	Right Hand	19		Assembly, Roller			
11	W10673840	Screw (Stainless)		W10515763	Left Hand			
	W10673842	Screw (Black)		W10515762	Right Hand			
12		Cover, Top Hinge	20	W10709365	Screw			
		Left Hand	21	12990702	Screw			
	W10471618	Grey	22		Grille, Toe			
	W10471617	Black		W10637671	Grey			
				W10637669	Black			

# REFRIGERATOR LINER PARTS



# REFRIGERATOR LINER PARTS

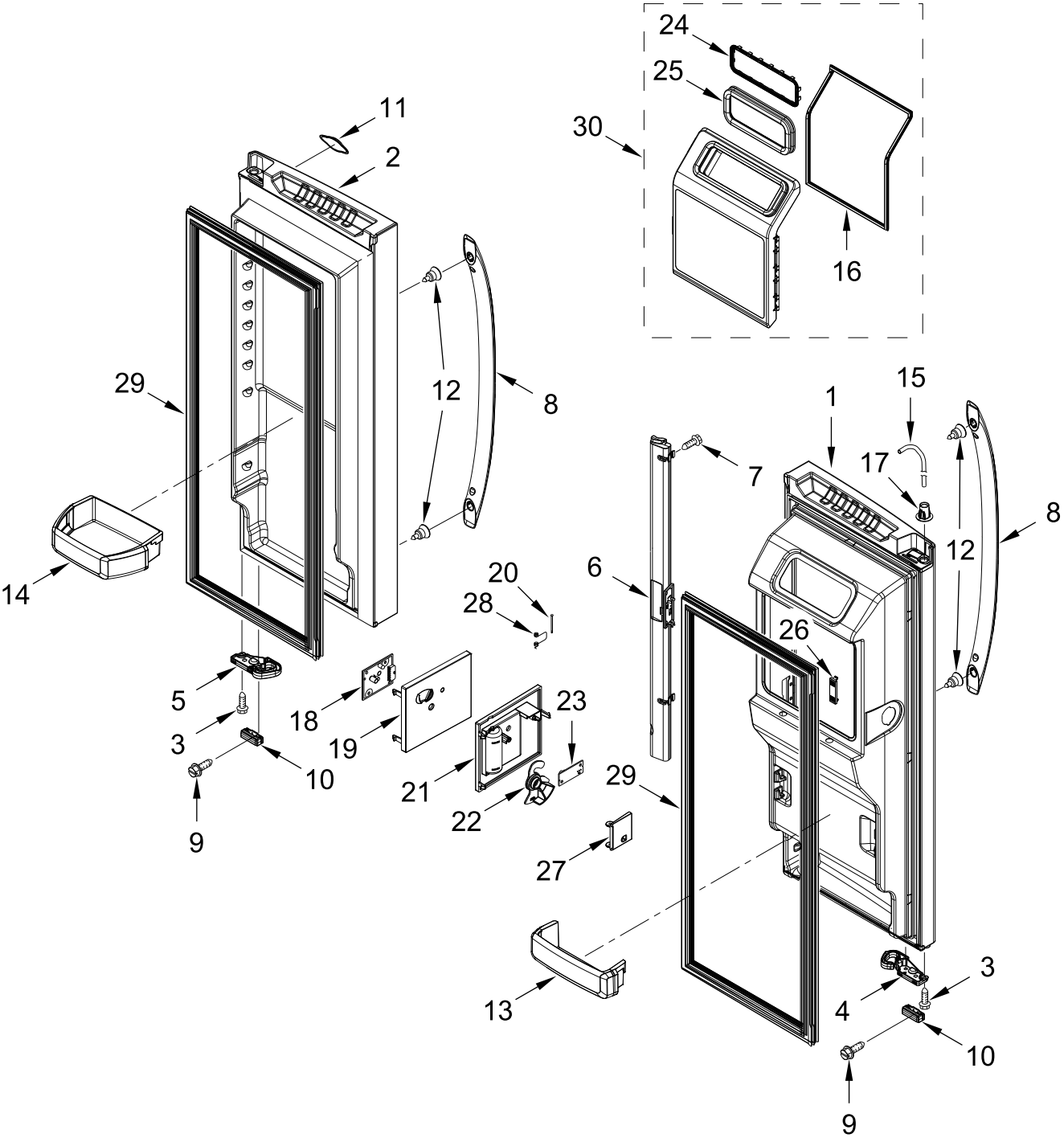
<u>Illus.</u> <u>No.</u>	<u>Part No.</u>	<u>Description</u>	<u>Illus.</u> <u>No.</u>	<u>Part No.</u>	<u>Description</u>	<u>Illus.</u> <u>No.</u>	<u>Part No.</u>	<u>Description</u>
1		Liner (Not A Serviceable Part)	14	W10706850	Heater, Fill Tube	27	W11234027	Harness, LED Wire (Includes LED lights)
2	W11281629	Housing, Water System	15	12990518	Screw	28	W10280983	Insulation
3	W11306460	Tube, Fill	16	W10598013	Cover, Icebox	29	W11373777	Assembly, Air Tower
4	W11296598	Reservoir, Water (Also Order Wire Tie Part 8567668)	17	W11374557	Assembly, Icebox (Foamed)	30	W10635022	Adapter, Icebox
5	W11280652	Valve, Triple Water	18	W11125218	Cover, Air Diffuser	31	W10392172	Gasket, Fan
6	W11293954	Housing, Water Filter	19	W11175631	Locking Ring (5/16)	32	W10530312	Cover, Damper
7	W11391464	Enclosure, Water Valve	20	W10505516	Trim, Icebox	33	W10479155	Damper, Control
8	W10669663	Cover, Waterbox	21	W10833801	Fan, Icebox	34	W10438957	Cover, Thermistor
9	2223877	Latch, Push	22	W11369503	Wire Assembly, Jumper	35	W10320706	Gasket, Rear Return
10	W10277949	Door, Filter Access	23	W11228040	Assembly, LED Light Module			FOLLOWING PARTS NOT ILLUSTRATED
11	W10680605	Filter, Water	24	W10280988	Gasket, Rear Supply		W11298842	Wire Assembly, Ice Box
12	W10315189	Filter, Air	25	W10553630	Assembly, Fascia (Includes Heater)		W11306926	Harness, Dual Valve
13	W11306462	Waterline, Valve to Hinge	26	W10847853	Switch, Light			



# FREEZER LINER PARTS

<u>Illus.</u> <u>No.</u>	<u>Part No.</u>	<u>Description</u>	<u>Illus.</u> <u>No.</u>	<u>Part No.</u>	<u>Description</u>	<u>Illus.</u> <u>No.</u>	<u>Part No.</u>	<u>Description</u>
1		Liner (Not A Serviceable Part)	9	W10496613	Grille, Air (Freezer)	15	M0500703	Seal
2	A3189392	Gasket, Foam	10	W10363507	Shroud, Evaporator Fan	16	B8381501	Gasket, Drain
3	W11228040	Assembly, LED Light Module	11	12986101	Blade, Fan	17	W10405166	Cover, Thermistor
4	W11282987	Cover, Evaporator (Freezer)	12	W10905511	Grommet, Fan Motor	18	W10531268	Gasket, Dual Evaporator
5	12990511	Screw	13	W11215582	Motor, Evaporator (Includes Harness, Thermistor, and Defrost Thermostat)	19	W10280385	Thermistor
6	12956601	Clip, Fan Motor				20	W11297461	Fill Tube & Heater Assembly
7	W10847849	Switch, Light	14	W10503218	Assembly, Drain Funnel	21	8281136	Screw
8	12990504	Screw						

# REFRIGERATOR DOOR PARTS



# REFRIGERATOR DOOR PARTS

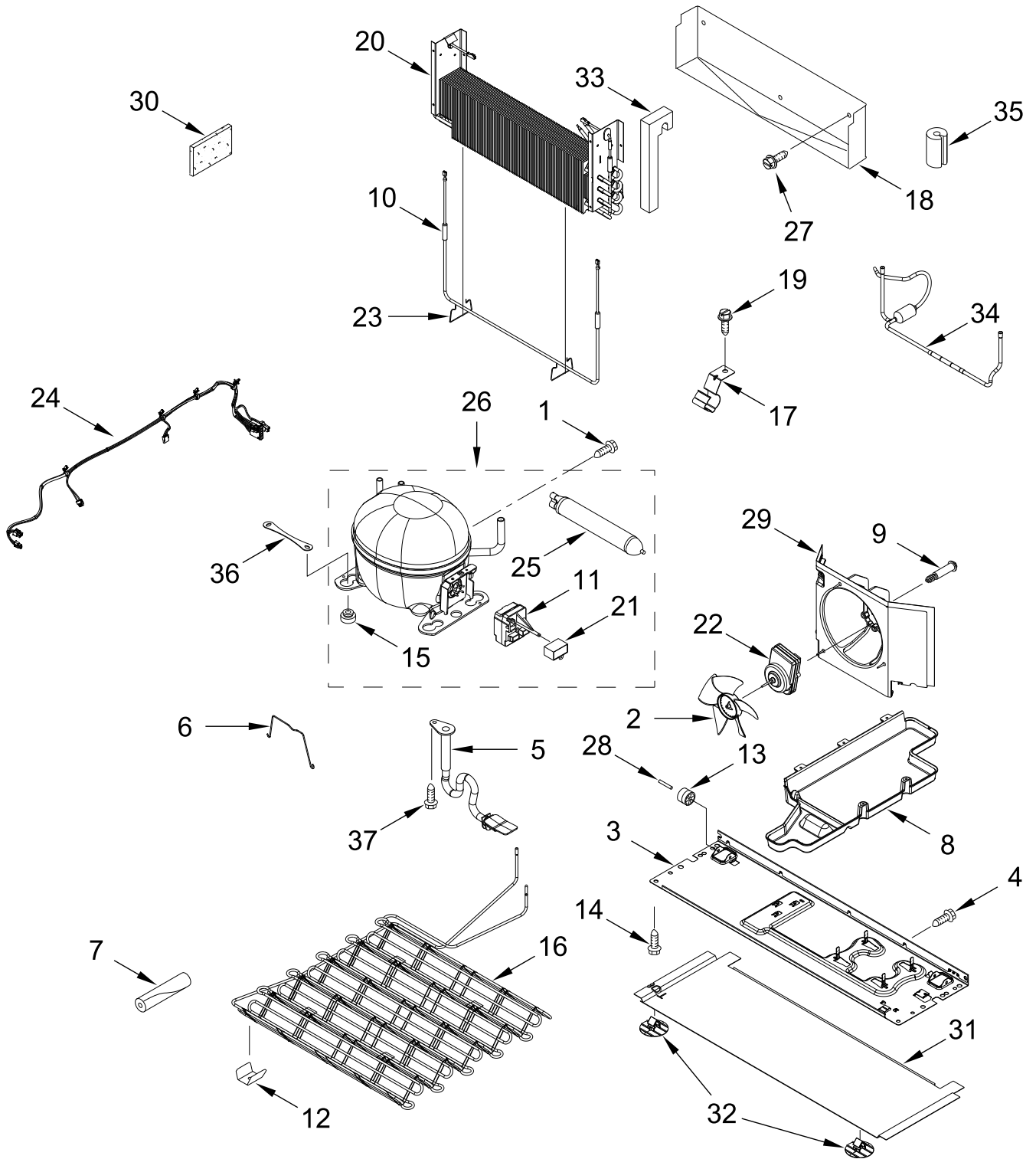
<u>Illus. No.</u>	<u>Part No.</u>	<u>Description</u>	<u>Illus. No.</u>	<u>Part No.</u>	<u>Description</u>	<u>Illus. No.</u>	<u>Part No.</u>	<u>Description</u>
1		Door, Refrigerator (Includes Gasket) Left Hand	7	12990204	Screw	20	2198634	Pin, Door
	W11405217	Stainless	8		Handle, Door	21	W10258502	Cover, Emitter
	W11405219	Black Stainless		W11045530	Stainless	22	W10258540	Slide, Icemaker Shut Off
2		Door, Refrigerator (Includes Gasket) Right Hand		W11101972	Black Stainless	23	W10832970	Board, Emitter Circuit
	W11377901	Stainless	9	12990504	Screw	24	W10400825	Retainer, Ice Chute
	W11036468	Black Stainless	10		Bumper, Door	25	W10347087	Gasket, Ice Chute
3	W10238319	Screw		W10407188	Grey	26	W10646855	Vent, Thermistor
4		Latch, Door		W10407187	Black	27	W10258520	Door, Emitter
	W10712952	Left Hand	11	W10884773	Badge	28	2198635	Spring, Door
5		Latch, Door	12	W11328753	Screw	29		Gasket, Door
	W10712953	Right Hand	13	W10728185	Trivet, 2 Liter		W10873938	Grey
6		Mullion, Door	14	W10728194	Bin, Gallon		W10873939	Black
	W10698199	Grey	15	W10499015	Tube, Water	30	W10549592	Assembly, Ice Door
	W10698196	Black	16	W10347085	Gasket, Ice Compartment Door			
			17	W11315302	Clip, Tube			
			18	W10518658	Board, Receiver Circuit			
			19	W10258510	Cover, Receiver			



# FREEZER DOOR PARTS

<u>Illus.</u> <u>No.</u>	<u>Part No.</u>	<u>Description</u>	<u>Illus.</u> <u>No.</u>	<u>Part No.</u>	<u>Description</u>	<u>Illus.</u> <u>No.</u>	<u>Part No.</u>	<u>Description</u>
1		Door, Freezer (Includes Gasket)	6	W10594047	Assembly, Lower Pan	15		Gasket, Door
	W11377893	Stainless	7	12990518	Screw		W10248749	Grey
	W11024129	Black Stainless	8	W10724458	Bin, Upper		W10248748	Black
2		Handle, Door	9	W10709748	Clip, Shaft	16	W10709259	Bin, Ice
	W11115761	Stainless	10	W10507444	Divider, Lower	17	W10182881	Scoop, Ice Pan
	W11101977	Black Stainless	11	W10469177	Support, Pan	18	W10248555	Roller, Pan
3	W11328753	Screw	12	489443	Screw (Stainless)	19	W10643690	Axle, Roller
4	W10503522	Shaft	13	W10485654	Divider, Upper			
5		Assembly, Bracket	14		Stop, Pan			
	W10795770	Left Hand		W10485096	Left Hand			
	W10795768	Right Hand		W10485089	Right Hand			

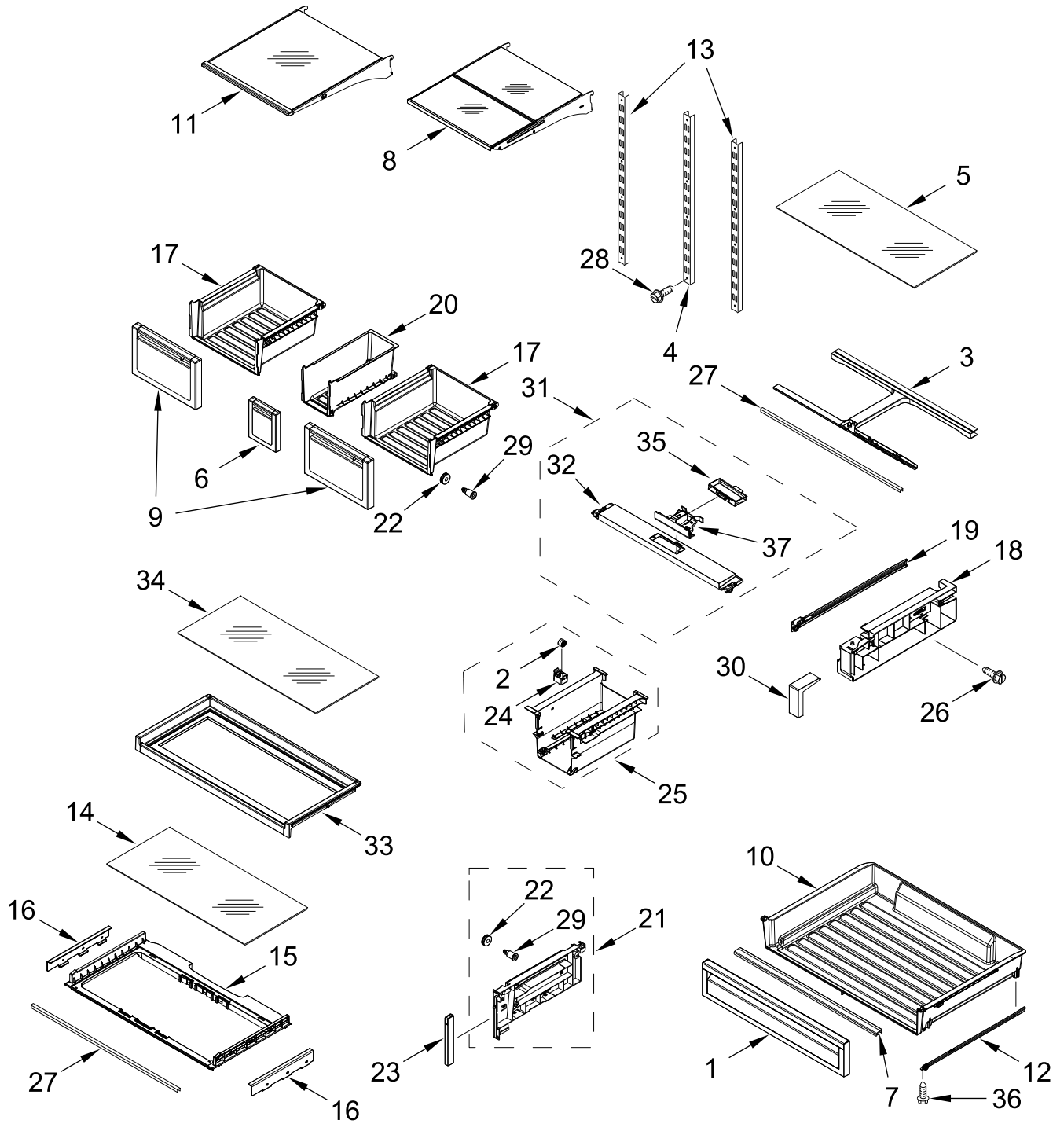
# UNIT PARTS



# UNIT PARTS

<u>Illus. No.</u>	<u>Part No.</u>	<u>Description</u>	<u>Illus. No.</u>	<u>Part No.</u>	<u>Description</u>	<u>Illus. No.</u>	<u>Part No.</u>	<u>Description</u>
1	W10141625	Screw	20	W10248589	Assembly, Evaporator	34	W10463542	Tube, Suction
2	2188935	Blade, Fan	21	W10350564	Capacitor	35	W10413009	Grommet, Air Return
3	W10570074	Baseplate	22	W10909387	Motor, Condenser Fan	36	W10236396	Strap, Compressor
4	12990511	Screw	23	10428101	Clip, Heater	37	W10141518	Screw
5	W10776917	Extension, Drain	24	W11306948	Harness, Unit (Includes Power Cord)			FOLLOWING PARTS NOT ILLUSTRATED
6	W10650382	Strap, Bale	25	W10177049	Drier	978025		Valve, Access (1/4")
7	W10303521	Sleeve	26	W10391109	Compressor (Also Order 876765 Tube Kit)	978026		Valve, Access (5/16")
8	W10660727	Tray, Evaporator	27	W10142294	Screw	978027		Valve, Access (3/8")
9	W10622701	Screw	28	12477202	Axle, Roller	978029		Valve, Access (5/8")
10	12729128	Heater, Defrost	29	W10406719	Shroud	978030		Valve, Access (3/4")
11	W10796752	Device, Start	30	2169104	Insulation, Sound Deadening	876764		Valve, Access (3/16")
12	W10248621	Clip, Condenser	31	W10278140	Cover, Condenser (Bottom)			REFRIGERANT CHARGE
13	12477102	Roller	32	W10815861	Clip, Bottom Cover			5.25 oz. (R-134A)
14	12992101	Screw	33	W10491355	Gasket, Airdam			
15	10835903	Grommet						
16	W10627646	Assembly, Condenser						
17	W10281329	Clip, Drier						
18	W10342573	Tray, Drip						
19	W10141645	Screw						

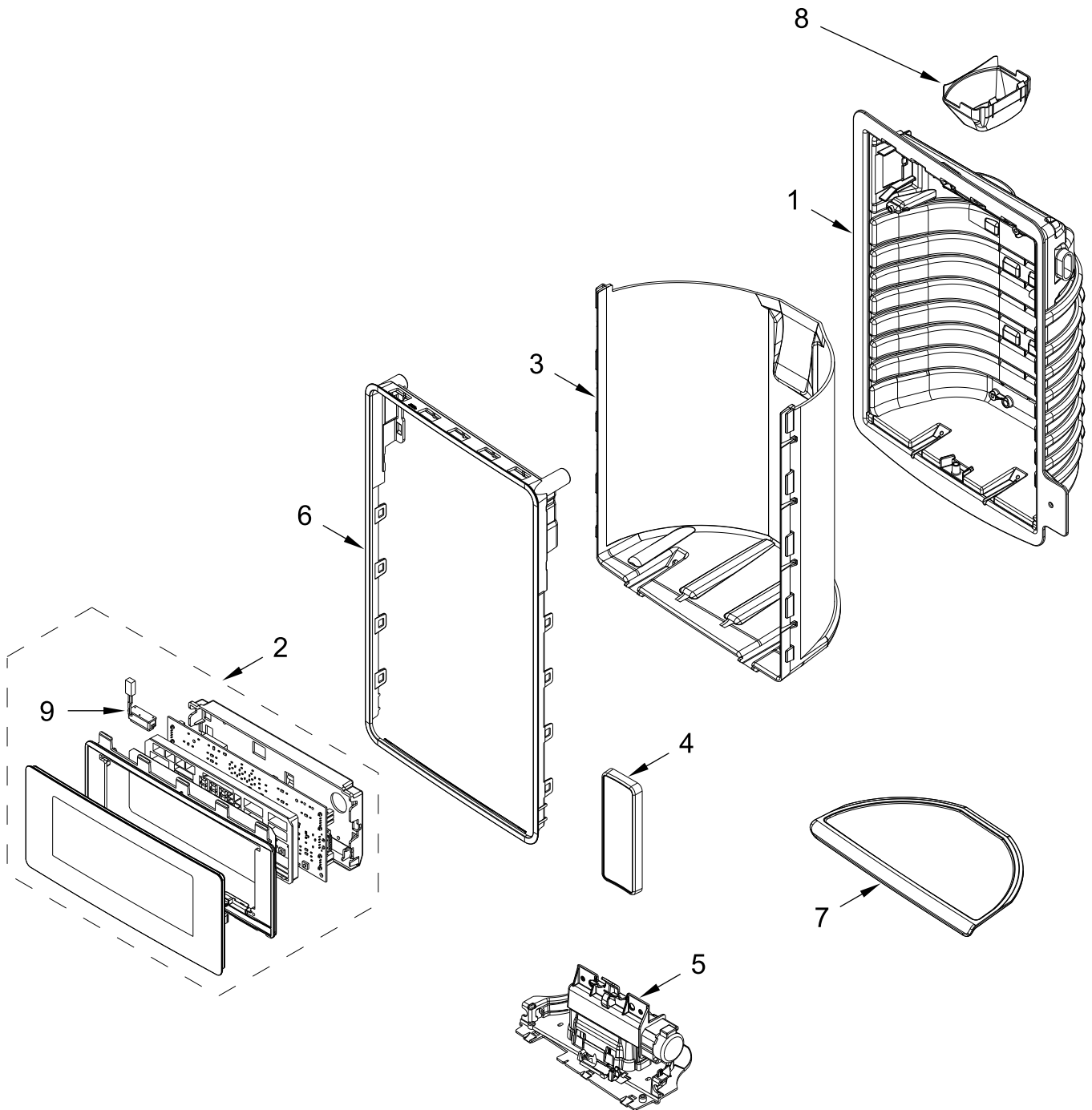
# SHELF PARTS



# SHELF PARTS

<u>Illus. No.</u>	<u>Part No.</u>	<u>Description</u>	<u>Illus. No.</u>	<u>Part No.</u>	<u>Description</u>	<u>Illus. No.</u>	<u>Part No.</u>	<u>Description</u>
1	W10510417	Front, Pantry	16		Rail, Side	26	W10185612	Screw
2	W10248789	Roller, Center		W11133647	Left Hand	27	W10236512	Support, Front
3	W11124673	Support, Pantry		W11133648	Right Hand	28	W10423560	Screw
4	W10248516	Ladder, Center	17	W10387757	Pan, Crisper	29	W10257246	Axle, Roller
5	W10893769	Glass, Pantry	18		Sideplate, Pantry	30	W10467416	Plate, Pantry Front
6	W10423520	Assembly, Crisper Front		W10498906	Left Hand	31	W10554293	Assembly, Pantry Front Cover
7	W10398002	Handle, Pantry		W11124810	Right Hand	32	W10554285	Cover, Pantry Top
8	W10709175	Assembly, Tuck Shelf	19		Slide, Pantry	33	W11235830	Assembly, Platter Shelf
9	W10688114	Assembly, Crisper Front		W10508327	Left Hand	34	W11133665	Glass, Platter
10	W10498901	Pan, Pantry		W10508326	Right Hand	35	W10554279	Housing, Pantry Temperature Control
11	W10709163	Assembly, Shelf	20	W10387778	Pan, Crisper	36	8281136	Screw
12		Runner, Roller	21		Sideplate, Crisper	37	W10512596	Knob, Pantry Temperature Control
	W10508330	Left Hand		W11315531	Left Hand			
	W10508328	Right Hand		W11315533	Right Hand			
13	W10372170	Ladder, Side	22	W10248544	Roller, Guide			
14	W10893768	Glass, Crisper	23	W10467415	Plate, Crisper Front			
15	W11133636	Cover, Crisper	24	W10530314	Housing, Roller			
			25	W10662015	Assembly, Center Crisper Support			

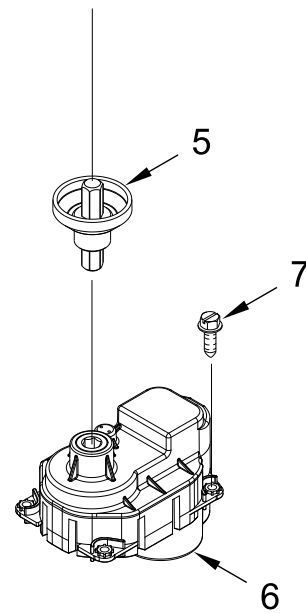
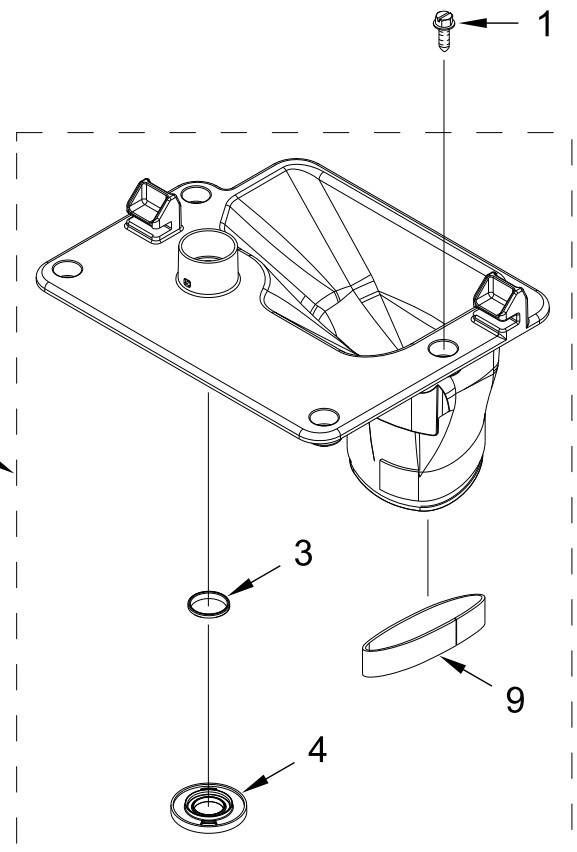
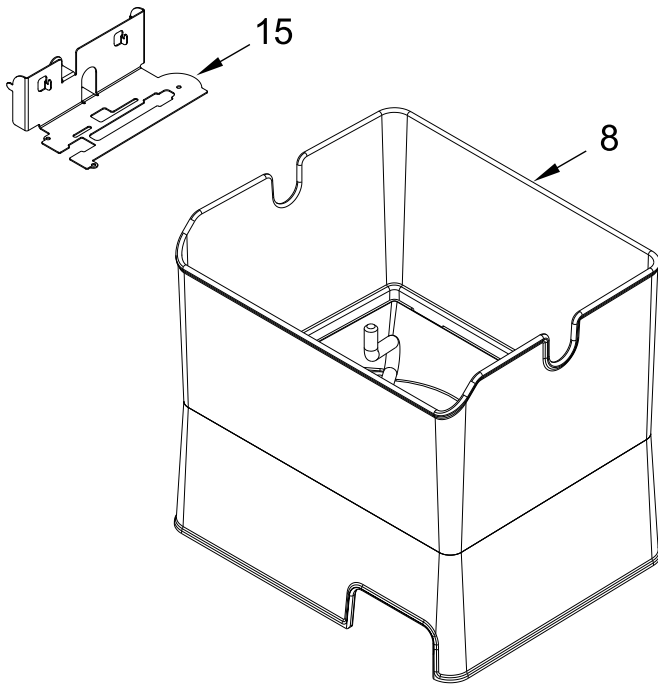
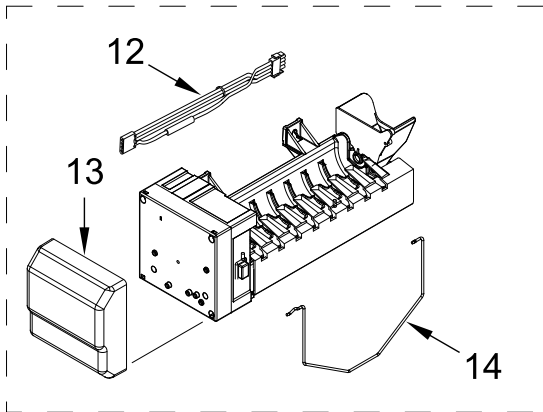
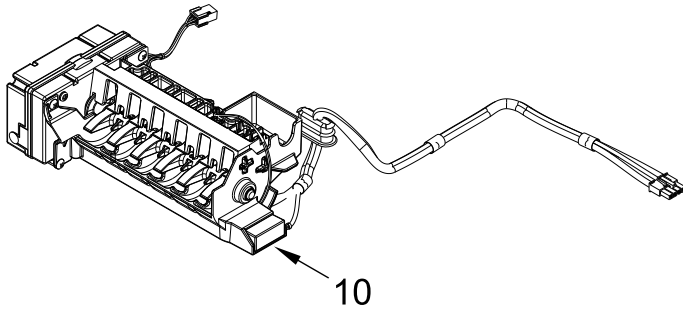
# DISPENSER FRONT PARTS



# DISPENSER FRONT PARTS

<u>Illus.</u> <u>No.</u>	<u>Part No.</u>	<u>Description</u>	<u>Illus.</u> <u>No.</u>	<u>Part No.</u>	<u>Description</u>	<u>Illus.</u> <u>No.</u>	<u>Part No.</u>	<u>Description</u>
1		Housing, Dispenser (Not Serviced)	4		Assembly, Pad	8	W10435760	Guide, Ice
				W10473007	Grey	9	W10470750	Assembly, LED
2		Assembly, User Interface (Includes Light Feature)	5	W10577864	Assembly, Seperator			
			6		Ring, Trim			
	W11114478	Silver		W10402180	Chrome			
3		Wall, Dispenser False	7		Tray, Drip			
	W10819058	Grey		W10819059	Grey			

# ICEMAKER AND ICE CONTAINER PARTS



# ICEMAKER AND ICE CONTAINER PARTS

<u>Illus.</u> <u>No.</u>	<u>Part No.</u>	<u>Description</u>	<u>Illus.</u> <u>No.</u>	<u>Part No.</u>	<u>Description</u>	<u>Illus.</u> <u>No.</u>	<u>Part No.</u>	<u>Description</u>
1	W10272364	Screw	9	W10291905	Gasket	14	W10512602	Arm, Shut Off
2	W10347051	Plate, Ice Chute	10	W11457039	Assembly, Icemaker (Refrigerator)	15	W10420084	Bracket, Icemaker Mounting
3	2198628	Seal	11	W10825619	Assembly, Icemaker (Freezer)			
4	W10347120	Clip, Retainer	12	W10819616	Harness, Ice Maker			
5	W10347114	Shaft, Motor	13	W10153710	Cover, Front			
6	W11185741	Motor, Dispenser						
7	8281163	Screw (Stainless)						
8	W10347093	Assembly, Ice Container						

# OPTIONAL PARTS

## PAINT, TOUCH-UP (1/2OZ.)

<u>Illus. No.</u>	<u>Part No.</u>	<u>Description</u>
	72017	White
	72032	Black
	W10134625	Apollo Grey
	W10917540	Midnight Grey
	511873	White Porcelain (2 oz.)
	4392899	Biscuit/Bisque

## PAINT, PRESSURIZED SPRAY (12 OZ.)

<u>Illus. No.</u>	<u>Part No.</u>	<u>Description</u>
	350930	White
	350939	Enamel, Black
	285006	Black
	350942	White Primer
	4392901	Biscuit/Bisque

## PAINT, BULK (1 QT.)

<u>Illus. No.</u>	<u>Part No.</u>	<u>Description</u>
	799344	White (Uncut)

## MISCELLANEOUS

<u>Illus. No.</u>	<u>Part No.</u>	<u>Description</u>
	212643	Sealer, Gum (4 Feet)
	479502	Tape, Vinyl (3/4 x 108")
	876370	Insulation (2 Pieces, 3" x 24" x 48")
	876305	Insulation Kit (14 Pieces, 3" x 24" x 48")
	978941	Insulation, Fiberglass (63 1/2" x 35 1/2" x 2 5/8")
	876029	Kit, Foam Slab (30" x 32 1/2" x 1 1/2")
	505587	Sealer, Mastic (1 Qt)
	503695	Cork, Sealer
	20000008	Cleaner, Stainless Steel
	542638	Grease, Silicone (1/2 Oz.)
	542639	Cement, Alumilastic (1 1/4 Oz.)
	833938	Kit, Terminal Connector
	8003RP	Kit, Water Inlet

## TORX SCREW WRENCH

<u>Illus. No.</u>	<u>Part No.</u>	<u>Description</u>
	1117510	Torx Key