



Electrolux

Factory Parts Catalog

Product No.	EFME627UIW2	EFME627UTT2
Series	600 series	600 series
Market	North America	North America
Color	white	titanium
Volts	120V	120V
Tech Data Sheet	A11199903	A11199903
Owner's Guide	A16331701	A16331701
Installation Instructions	A13957501	A13957501
Energy Guide	A11057402	A11057402

 **Electrolux**

Electrolux Major Appliances

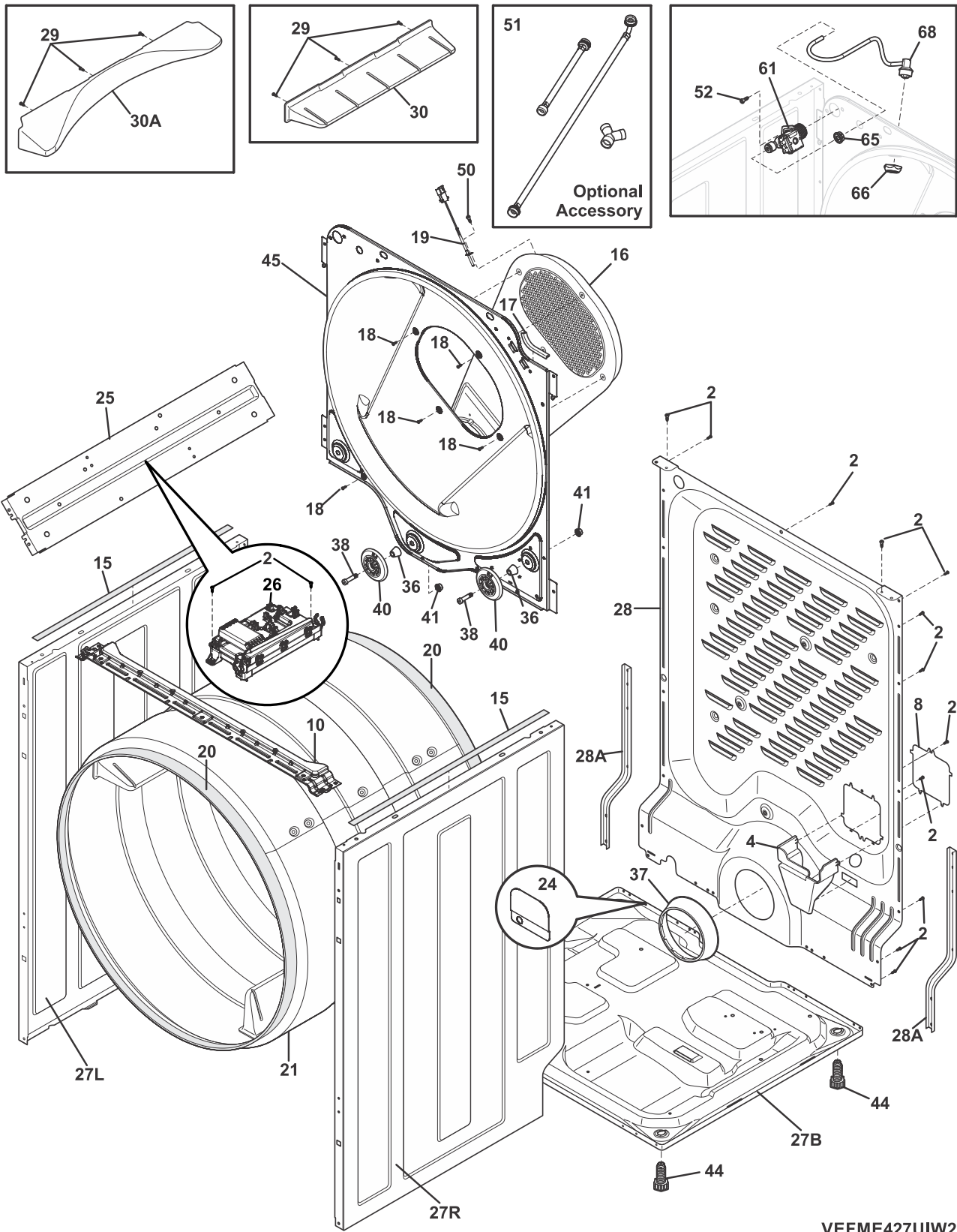
P.O. BOX 8020
CHARLOTTE, NC 28262

Publication No.
5995724217
20/10/07
(EN/SERVICE/ECL)
361

ELECTRIC DRYER

Model No.
EFME627U

CABINET/DRUM



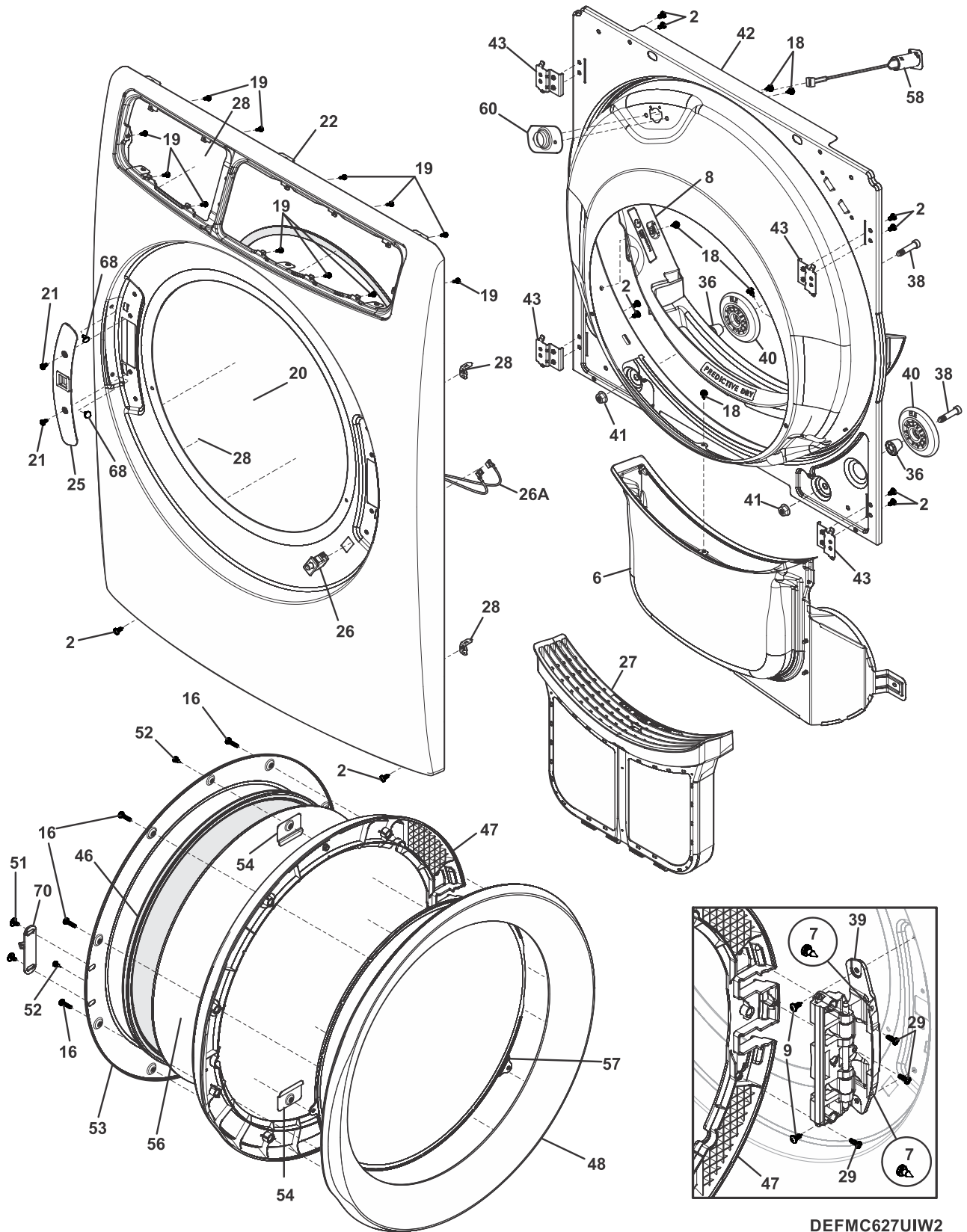
VEFME427UIW2

CABINET/DRUM

Model Index: A EFME627U (EFME627UIW2)
B EFME627U (EFME627UTT2)

POS. NO	PART NO.		DESCRIPTION
2	131168200	A B	Screw, pan head, 8-18B x 0.31
4	134792100	A B	Bracket, main, terminal
8	134694400	A B	Cover, terminal block
10	5304513567	A B	Bracket, front panel
10*	5304521493	A B	Screw, pn hd, #10-16 x .375, 7.85mm
15	137031800	A B	Cushion, vibration, top panel
16	5304513571	A B	Duct Assembly, heat, rear
17	134792900	A B	Protector, edge, right top front, 85.0+/-1.5
18	131477000	A B	Screw, 10-16AB x 0.375
19 #	5304520302	A B	Thermistor, inlet
20	5304499489	A B	Seal, felt, purple stitches, drum
20*	5304500486	A B	Seal, felt, red stitches, drum
20*	5308027429	A B	Adhesive, high temp
21	137610710	A B	Drum, 2 rib 38"
24	137537100	A B	Cover, back sheet, cutout
24*	131205500	A B	Screw, 1/4-14 x 0.625
25	137567001	A B	Bracket, mounting, main cntl box
26 #	5304525689	A B	Main Board, assembly, w/housing, & harness
26*#	5304521235	A B	Harness, wiring, main
26*#	137150200	A B	Terminal Block Kit, main
26*	131303300	A B	Screw, pan head, 10-16AB x 0.500, locking
27B	134690203	A B	Base, dryer
27L	134712696	A -	Panel, left side, white
27L	134712697	- B	Panel, left side, titanium
27R	134712796	A -	Panel, right side, white
27R	134712797	- B	Panel, right side, titanium
27*	137240501	A B	Brace, side panel
28	137560413	A B	Panel, backsheet
28*	131202300	A B	Screw, 10-16AB x 0.625
28*	134154100	A B	Screw, hex washer head, 10-32 x 0.375, ground
28A	137029801	A B	Bracket, reinforcement, backsheet
29	131205100	A B	Screw, #8 pan head, 10-10B x 0.500, cr/sq drive
30	137610600	A B	Vane, drum, straight
30A	137610500	A B	Vane, drum, mixing
36	5304523154	A B	Spacer, drum roller
37	137553500	A B	Cover, exhaust tube
38	5304523151	A B	Shaft, drum roller, shoulder bolt
40	5304523152	A B	Roller Wheel, assembly, w/bearing
41	5304523153	A B	Nut, lock
44	134158001	A B	Leveling Leg, screw
45	5304521407	A B	Bulkhead, panel, rear
50	131243700	A B	Screw, pan head, 8-18AB x 0.375
51	5304495002	A B	Install Kit, steam dryer, Optional, accessory
52	137573900	A B	Screw, comb pan hd, 1/4-14x.375
61 #	137544800	A B	Valve, mist lowprofile
61*	5304506746	A B	Shield, mist valve
65	137017200	A B	Grommet, misting tube
66	137017300	A B	Nut, nozzle
68	5304521480	A B	Nozzle Assembly, mist system, w/tubing-nut

FRONT PANEL/LINT FILTER



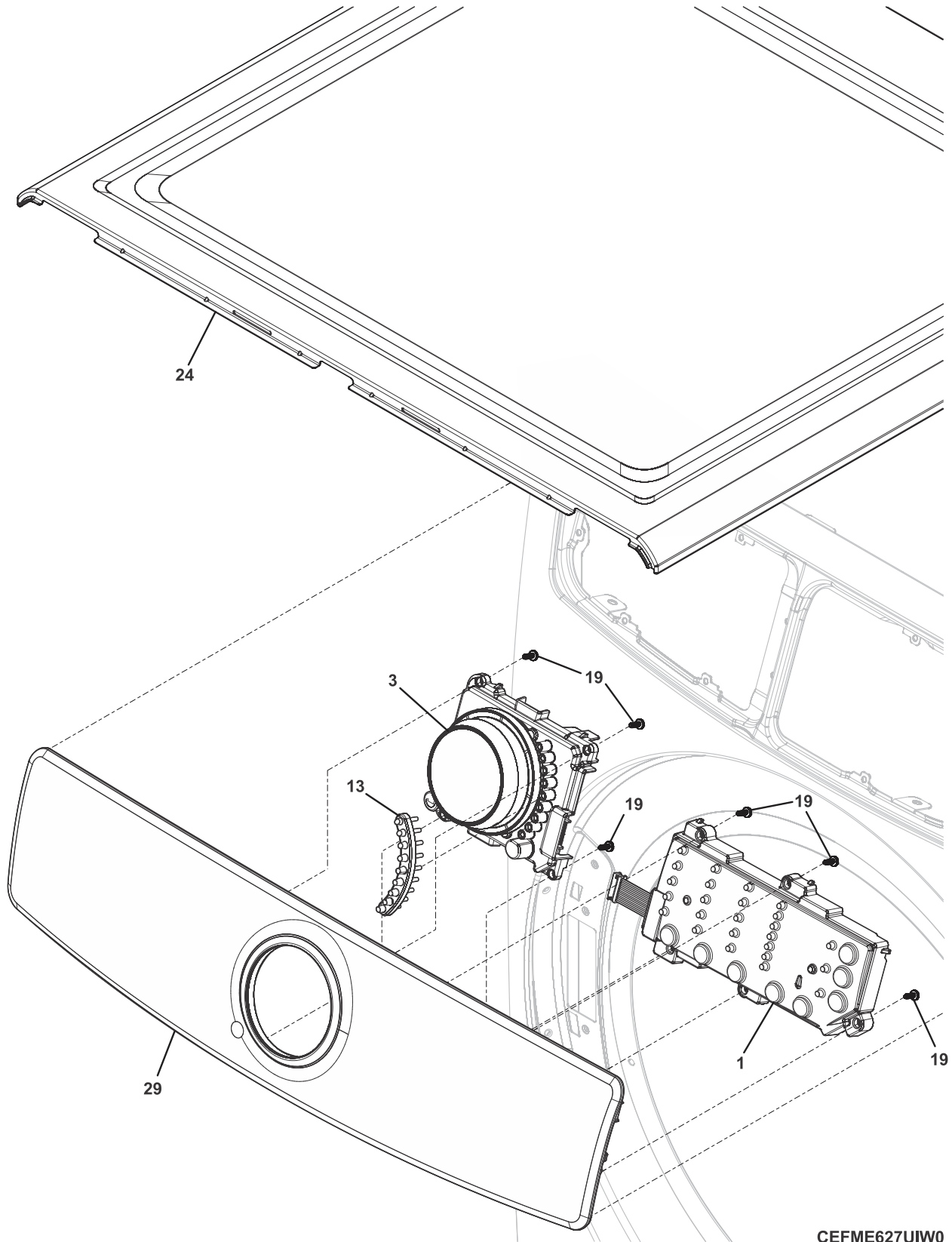
DEFMC627UIW2

FRONT PANEL/LINT FILTER

Model Index: **A** EFME627U (EFME627UIW2)
 B EFME627U (EFME627UTT2)

POS. NO	PART NO.		DESCRIPTION
2	131168200	A B	Screw, pan head, 8-18B x 0.31
6	5304521401	A B	Duct Assembly, air, w/foam top seal
7	137285100	A B	Screw, pan head, #8-18x.750
8 #	5304513584	A B	Grill Assembly, lint, w/moisture sens
8*	5304513601	A B	Screw, grill assembly, (2)
9	5304505259	A B	Screw, quad PH type A, M5 x 0.8 x 14.5, (4)
16	137087000	A B	Screw, comb pnhd b, #10-16x.75, (9)
18	131477000	A B	Screw, 10-16AB x 0.375
19	5304505441	A B	Screw, pph b, 6-20X.375
20	5304505111	A B	Gasket, foam, front panel
20*	5308027429	A B	Adhesive, high temp
21	131303300	A B	Screw, pan head, 10-16AB x 0.500, locking
22	5304513563	A -	Panel, dryer front, white
22	5304515428	- B	Panel, dryer front, titanium
25	5304513568	A B	Latch Assembly, door, w/cover
26 #	134813663	A -	Switch, door, white
26 #	134813664	- B	Switch, door, grey
26A#	5304505258	A B	Harness, wiring, door switch
27	5304513574	A B	Filter Assembly, lint, clamshell
28	137034500	A B	Clip, mounting, cabinet front
29	131205100	A B	Screw, #8 pan head, 10-10B x 0.500, cr/sq drive
36	5304523154	A B	Spacer, drum roller
38	5304523151	A B	Shaft, drum roller, shoulder bolt
39	5304505133	A B	Hinge Assembly, nest
40	5304523152	A B	Roller Wheel, assembly, w/bearing
41	5304523153	A B	Nut, lock
42	5304521388	A B	Bulkhead, panel, front
43	5304505118	A B	Bracket, bulkhead, (4)
46	5304505010	A B	Gasket, door seal, inner
47	5304505115	A B	Frame, inner door
48	5304505388	A B	Frame, outer, chromed, door
51	137241000	A B	Screw, Quad PH, 10-16 x 0.375
52	134529600	A B	Screw, PH, 8-18AB x 0.375
53	5304504995	A B	Inner Door, ring, metal
54	5304505012	A B	Clamp, door glass, (2)
56	5304504999	A B	Glass, dryer door, black
57	5304505119	A B	Shield, heat, door
58 #	5304521399	A B	Lamp Assembly, drum, w/harness
60	5304521476	A B	Bracket, support, drum lamp
68	134742000	A -	Plug, hinge hole, white
68	134742002	- B	Plug, hinge hole, grey
70	5304505013	A B	Striker, latch, black

CONTROLS/TOP PANEL

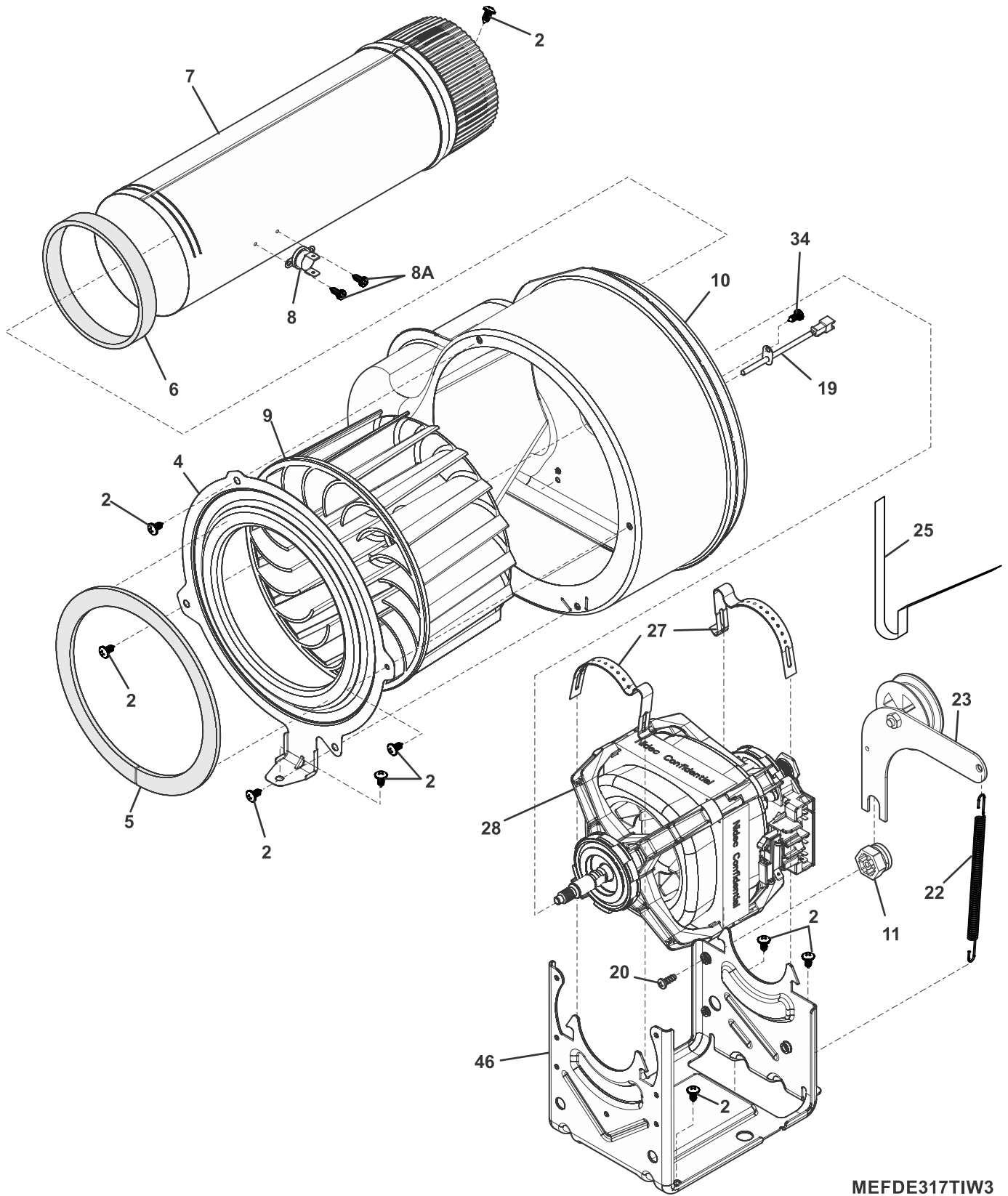


CONTROLS/TOP PANEL

Model Index: **A** EFME627U (EFME627UIW2)
 B EFME627U (EFME627UTT2)

POS. NO	PART NO.		DESCRIPTION
1 #	5304521513	A B	Board Assy, UI programmed, satellite, w/housing-screw
3 #	5304521447	A B	Knob Assembly, complete, w/boards
13	5304505064	A B	Diffuser, light
19	5304505441	A B	Screw, pph b, 6-20X.375
24	5304505081	A -	Top Panel, white
24	5304505082	- B	Top Panel, titanium
29	5304515231	A B	Console Assembly, w/overlay
* #	5304521235	A B	Harness, wiring, main
* #	137150200	A B	Terminal Block Kit, main
*	131168200	A B	Screw, pan head, 8-18B x 0.31

MOTOR



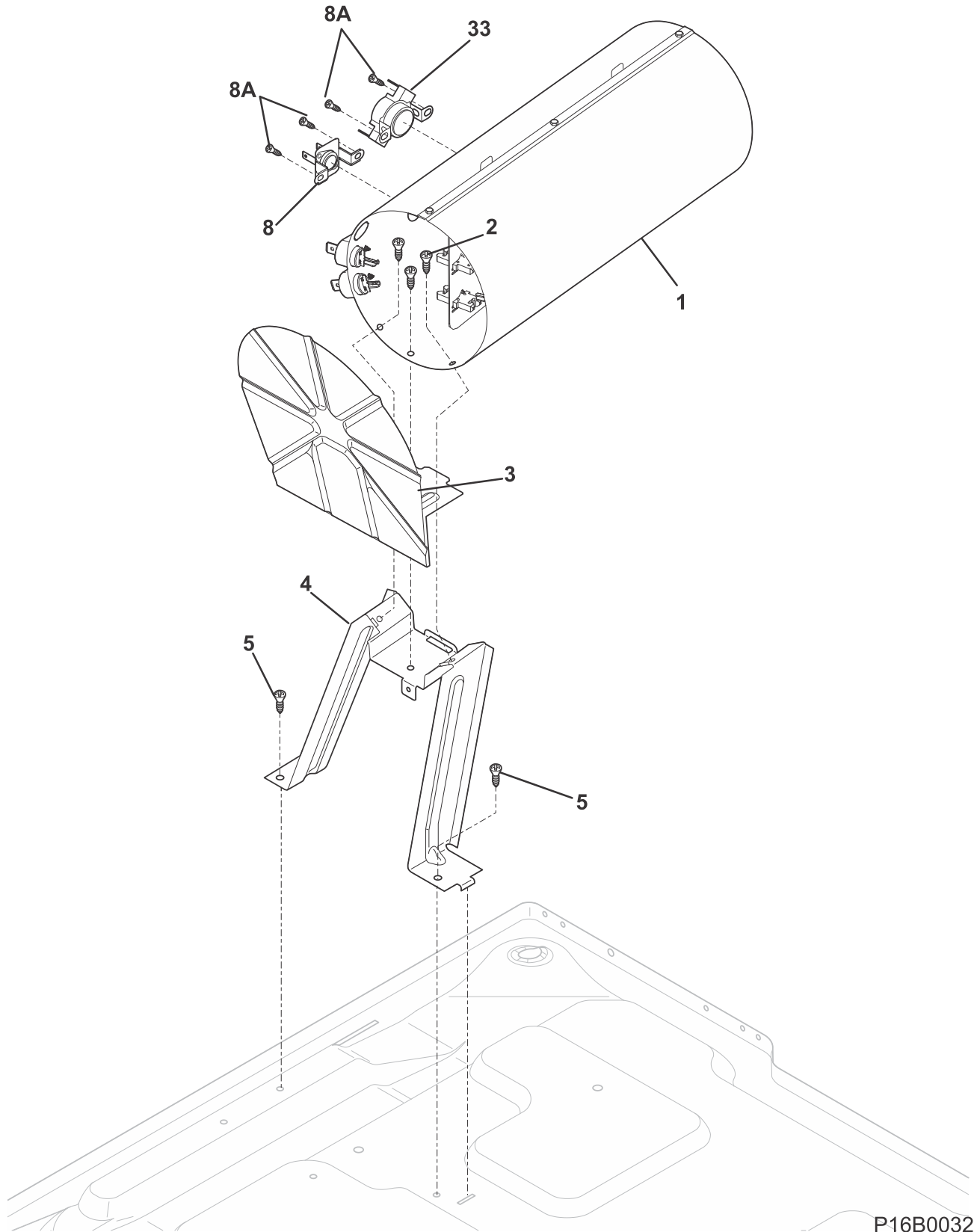
MEFDE317TIW3

MOTOR

Model Index: **A** EFME627U (EFME627UIW2)
 B EFME627U (EFME627UTT2)

POS. NO	PART NO.		DESCRIPTION
2	131168200	A B	Screw, pan head, 8-18B x 0.31
4	5304505074	A B	Spacer, blower front, air duct
5	5304505313	A B	Gasket, housing, foam
6	5304505318	A B	Gasket, spacer, foam
7	5304515233	A B	Tube, exhaust, rear
8 #	134711401	A B	Limiter, thermal exhaust, flush mount
8A	134935200	A B	Screw, #6 pan head, #8-32 X .25, quadrex
9	5304513609	A B	Blower Wheel, assembly
10	5304505339	A B	Blower Assembly, airguide
11	5304525724	A B	Spacer, idler
19 #	5304513591	A B	Thermistor, exhaust
20	131205100	A B	Screw, #8 pan head, 10-10B x 0.500, cr/sq drive
22	131601000	A B	Spring, idler arm
23	134793512	A B	Idler Arm Assy, w/pulley
25 #	134719300	A B	Belt, "H", poly V, 5 rib
27	134242400	A B	Clamp, motor mtg.
28 #	134693302	A B	Motor, main drive, 115v 60hz, w/pulley
34	131243700	A B	Screw, pan head, 8-18AB x 0.375
46	5304525693	A B	Bracket, motor

BURNER



P16B0032

BURNER

Model Index: **A** EFME627U (EFME627UIW2)
 B EFME627U (EFME627UTT2)

POS. NO	PART NO.		DESCRIPTION
1 #	137114000	A B	Heater, 1 element, 4700w
2	131168200	A B	Screw, pan head, 8-18B x 0.31
3	134692701	A B	Shield, radiant, electric
4	134713901	A B	Bracket, heater/burner, mounting
5	131202300	A B	Screw, 10-16AB x 0.625
8 #	137032600	A B	Limiter, thermal, heater
8A	134935200	A B	Screw, #6 pan head, #8-32 X .25, quadrex
33 #	3204267	A B	Thermostat, safety

WIRING DIAGRAM

Wiring Diagram - 527 and 627 Electric Dryer; Schéma de câblage - sècheuses électriques 527 et 627
Esquema de cableado eléctrico - 527 and 627 Electric Dryer (A10798101)

