

ELECTRICAL COMPONENT CHECKS

CAUTION: POWER MUST BE DISCONNECTED BEFORE ATTEMPTING TO MEASURE ELECTRICAL RESISTANCE

Actual measurement may show ± 10% variation from the resistance values given below.

MOTOR CHECK

Turn dishwasher on and attempt to run motor.

If motor does not run, and no hum, check:

1. House fuse or circuit breaker.
2. Door switch.
3. Timer plug and harness connections at timer. Be sure terminals are fully seated.
4. Disconnect harness plug to motor leads. Check for 120 volts.
5. REMOVE POWER. Check motor winding continuity on RX 1 scale.

If motor does not run, and hums. Check:

1. Mechanical lock-up or frozen bearings.
2. Pump seal faces stuck.
3. Items in sump blocking impeller or cutter.

TIMER CONTROL CHECK

Close door and press NORMAL WASH BUTTON to start dishwasher.

1. Check advance of timer. If it doesn't, REMOVE POWER and check continuity of timer drive motor. If okay restore power and check for voltage at timer motor.
2. Turn control dial slowly through cycle, using a coin in the slot of the indicator dial. Listen for operation of water valve, drain solenoid, detergent cup.
3. If a component fails to operate, REMOVE POWER from dishwasher and check continuity of component. If okay, restore power and check to see if voltage is being delivered to component from timer control.

PUSHBUTTON SWITCH CHECK

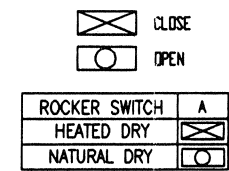
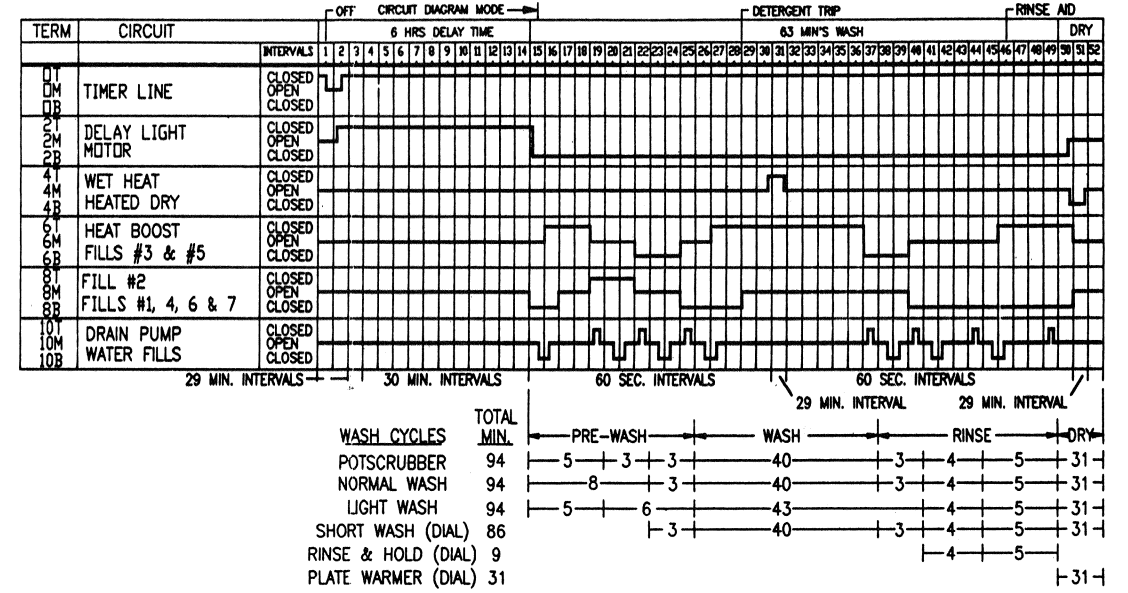
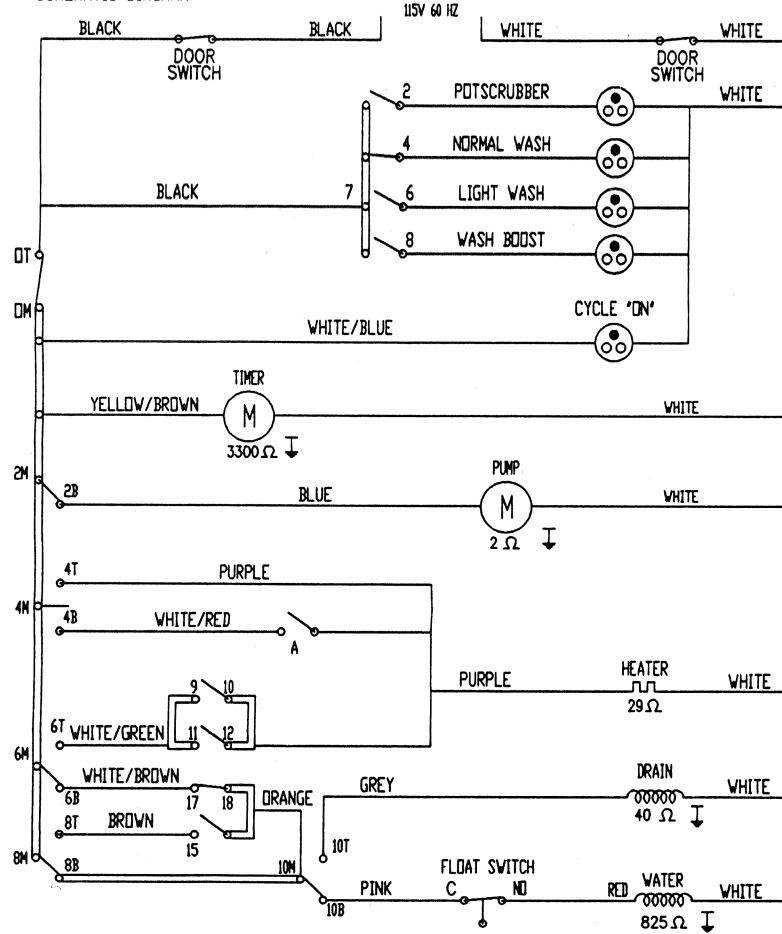
REMOVE POWER from dishwasher. Remove all wire leads from switch terminals before making check. Press the cycles indicated on the pushbutton switch chart, and check continuity of the switch terminals as indicated.

HEATER CHECK

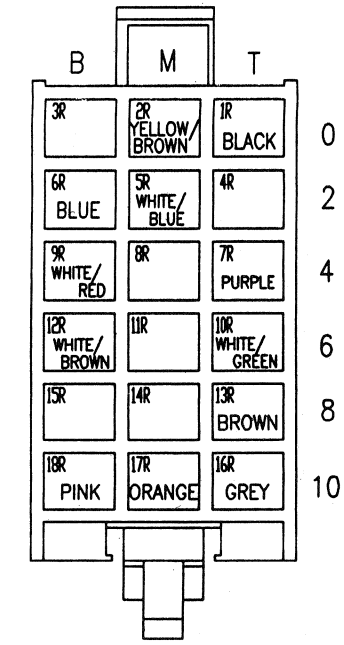
1. Check for loose or burned wiring connections to heater terminals.
2. Check for 120 volts to heater terminals.
3. If 120 volts is present and no heat, replace calrod heater.

DANGER: DISCONNECT ELECTRIC POWER SUPPLY BEFORE SERVICING

SCHEMATIC DIAGRAM



SWITCH	7-2	7-4	7-6	7-8	9-10	11-12	15-18	17-18
POTSCRUBBER	<input checked="" type="checkbox"/>	<input type="checkbox"/>	<input type="checkbox"/>	<input type="checkbox"/>	<input type="checkbox"/>	<input type="checkbox"/>	<input type="checkbox"/>	<input type="checkbox"/>
NORMAL WASH	<input type="checkbox"/>	<input checked="" type="checkbox"/>	<input type="checkbox"/>	<input type="checkbox"/>	<input type="checkbox"/>	<input type="checkbox"/>	<input type="checkbox"/>	<input type="checkbox"/>
LIGHT WASH	<input type="checkbox"/>	<input type="checkbox"/>	<input checked="" type="checkbox"/>	<input type="checkbox"/>	<input type="checkbox"/>	<input type="checkbox"/>	<input type="checkbox"/>	<input type="checkbox"/>
WASH BOOST "ON"	<input type="checkbox"/>	<input type="checkbox"/>	<input type="checkbox"/>	<input checked="" type="checkbox"/>	<input type="checkbox"/>	<input type="checkbox"/>	<input type="checkbox"/>	<input type="checkbox"/>
WASH BOOST "OFF"	<input type="checkbox"/>	<input type="checkbox"/>	<input type="checkbox"/>	<input type="checkbox"/>	<input checked="" type="checkbox"/>	<input type="checkbox"/>	<input type="checkbox"/>	<input type="checkbox"/>



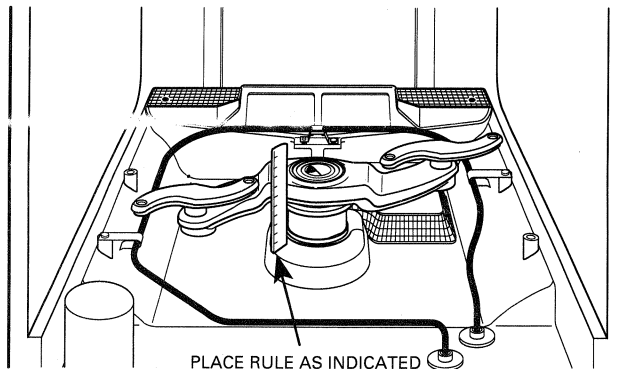
VIEWED FROM WIRE INSERTION END

WASHABILITY COMPLAINTS

HOT WATER – Ample supply of water at 120°F. minimum temperature is necessary. Do not use dishwasher soon after using clothes washer, or filling bath tub.

LOADING – Consult user booklet on loading procedure.

AMOUNT OF WATER – Check level allowing dishwasher to fill normally for first fill. Measure the water level by standing a rule on the pedestal in the tub bottom center, just in front of the spray arm hub. The water level should be 3/8" to 1" high. If water level is low, check for clogged screen in water valve, and check float switch.



PLACE RULE AS INDICATED WATER SHOULD MEASURE 3/8" MIN. TO 1" MAX. AT END OF FIRST FILL.

DETERGENT CUP LEAKAGE – Some moisture in cup is normal. It must not be soaking wet and oozing out and down the inner door panel. See section on detergent cup if cup is leaking.

HOUSE DRAIN PLUMBING – Check for blocked or partially blocked drain line and air gap.

PROPER AMOUNT OF DETERGENT – Use full detergent cup of fresh detergent in hard water. Use only enough detergent to do a good wash job in soft water.

WATER VALVE – Check valve for intermittent operation. Valve coil can be direct tested. Allow to heat normally, then check to see if coil opens.

TO REMOVE MECHANISM

1. Remove sump cover and grid. With sponge or syringe, remove all water from sump.
2. Loosen sump boot clamp. Loosen clamp from spray arm connector boot.
3. Remove hanger that holds motor to tub.
4. Motor-pump mechanism can now be removed from under dishwasher.

Book WD-1 Page _____

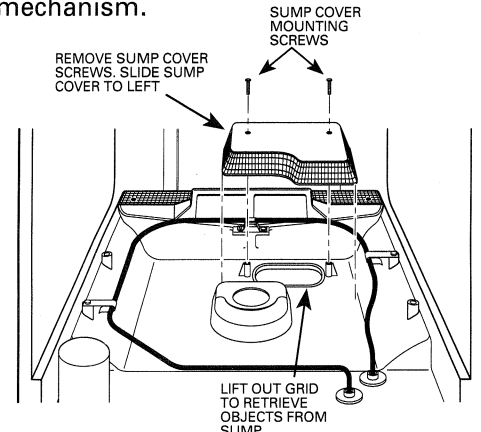
Pub# 31-3010

Dwg# 572D460P047

MOTOR-PUMP MECHANISM

MOTOR STALLED – HUMS

1. Remove Power. Try to turn fan blade clockwise to determine if seal is stuck and can be broken loose. If motor shaft can not be turned, cutter blade may be bound up. Proceed to step 2.
2. On inside of dishwasher, remove sump cover as shown in illustration. Remove the grid and reach down into the sump. Check for blockages such as bone, wire ties, etc. Check "pocket" on left side of sump; if it contains debris, clean thoroughly. If motor shaft cannot be turned, remove mechanism.

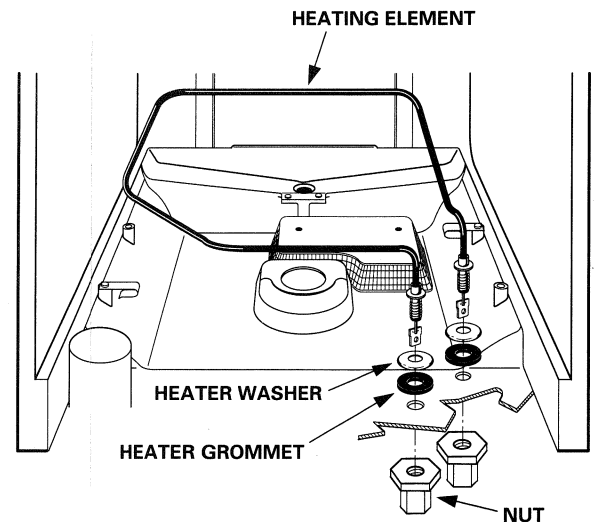


FILTER AND DRAIN SYSTEM

1. Remove filter screen. Check piston valve. It may be jammed by a toothpick or other object. Remove valve and check spring and rubber parts.
2. Check routing of hose system. It must be free from kinks.
3. Drain line check valve must pass water in the drain line direction only. Check for partially blocked drain line.

TO REMOVE CALROD HEATER

1. Disconnect Power and remove terminals.
2. Unscrew nut.
3. Remove Calrod heater supports.
4. Lift and remove Calrod.



IMPORTANT SAFETY NOTICE
THIS INFORMATION IS INTENDED FOR USE BY INDIVIDUALS POSSESSING ADEQUATE BACK-GROUNDS OF ELECTRICAL, ELECTRONIC AND MECHANICAL EXPERIENCE. ANY ATTEMPT TO REPAIR A MAJOR APPLIANCE MAY RESULT IN PERSONAL INJURY AND PROPERTY DAMAGE. THE MANUFACTURER OR SELLER CANNOT BE RESPONSIBLE FOR THE INTERPRETATION OF THIS INFORMATION, NOR CAN IT ASSUME ANY LIABILITY IN CONNECTION WITH ITS USE.

DISCONNECT POWER BEFORE SERVICING IMPORTANT – RECONNECT ALL GROUNDING DEVICES

IF GROUNDING WIRES, SCREWS, STRAPS, CLIPS, NUTS OR WASHERS USED TO COMPLETE A PATH TO GROUND ARE REMOVED FOR SERVICE, THEY MUST BE RETURNED TO THEIR ORIGINAL POSITION AND PROPERLY FASTENED.

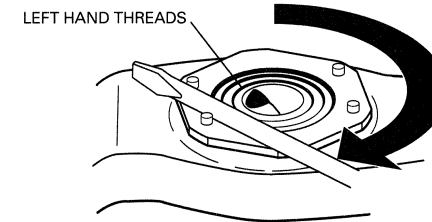
DANGER – SERVICE PERSONNEL

DANGER! HEATING ELEMENT, WATER VALVE AND DRAIN SOLENOID ARE INTENTIONALLY NOT GROUNDED AND MAY PRESENT A RISK OF ELECTRICAL SHOCK ONLY DURING SERVICING. DO NOT CONTACT WHILE APPLIANCE IS ENERGIZED.

WASH SYSTEM

SERVICE AND DISASSEMBLY

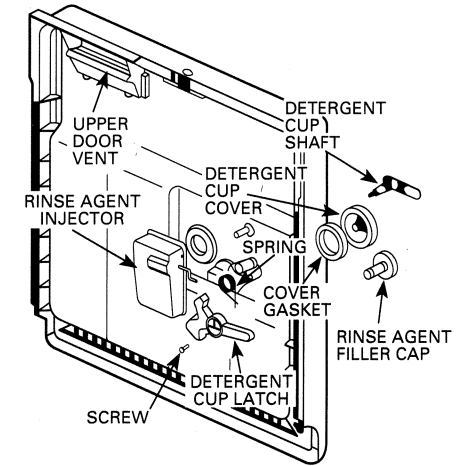
1. Check spray arm holes for bits of china, seeds and other foreign matter.
2. Check spray arm for rotation.
3. Remove nut tower – **LEFT HAND THREADS** – by using a screwdriver blade per illustration.



4. Lift out Power Tower assembly and nut tower.
5. Remove 1/4 hex head screw from center of wash arm to release arm.
6. Spray arm hub and entire spray arm assembly may be removed by turning spray arm hub (right hand threads) and removing. Reverse to reassemble.

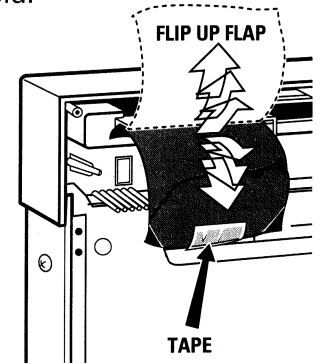
DOOR COMPONENTS

The door components are accessible by removing three screws from each side of inner door and one screw at the top near the latch. Carefully separate the inner door panel from the outer door panel. Raise the inner door panel and latch it in place.



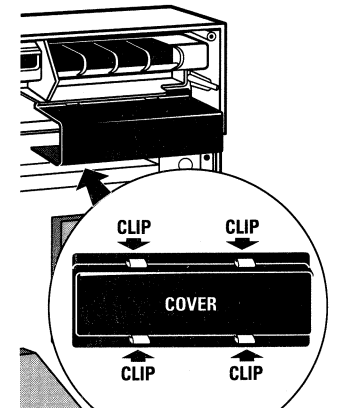
SERVICING TIMER

1. Access timer by removing tape and lifting PLASTIC shield (flap).
2. After accessing timer, replace and tape plastic shield.



SERVICING PUSHBUTTON SWITCH

1. Pinch 4 clips in to remove cover.
2. Push stop tab down (end by corner) and slide switch assembly out.
3. Remove the necessary pushbuttons to remove mounting screws.



USE APPROPRIATE MODEL SPRAY ARM ILLUSTRATION

