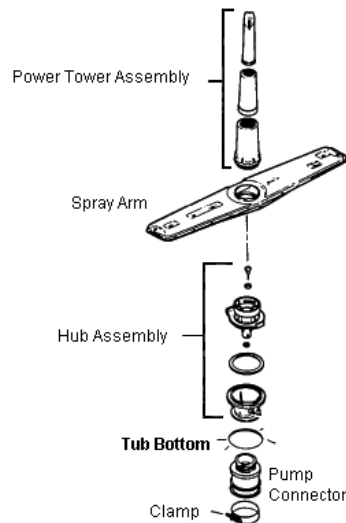


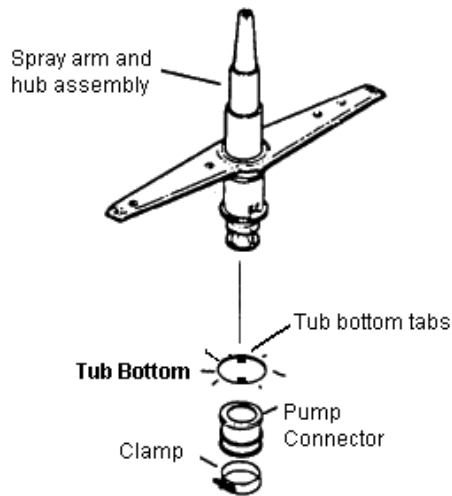
Instructions for Spray Arm Kit WD35x10011

The dishwasher spray arm has been redesigned. The original design spray arm should be replaced with the parts in this kit.

Replacing the original with the new requires removal of the old Power Tower, spray arm, hub assembly and pump connector. The two parts in this kit replace these parts. Note that the pump connector must be replaced because the gender of the spray arm hub threads changes from female to male.



Original Design



New Design

Remove existing spray arm, hub assembly and pump connector:

- Turn off electrical power and water supply to dishwasher.
- Remove lower rack and standing water from tub bottom.
- Remove access panel and toekick panel.
- Most installations will require pulling the dishwasher from the cabinet to gain sufficient clearance to remove the pump connector.
- Unscrew spray arm hub assembly from pump connector and discard.
- Loosen clamp on pump connector
- Remove motor hanger screw and tilt motor away from tub.
- Remove pump connector from pump outlet and discard.
- Save clamp for reuse.

Install new design spray arm and pump connector

- Install new pump connector from this kit on the motor pump assembly using the clamp from above. Tighten clamp.
- Reinstall motor hanger and tighten screw making sure pump connector is lined up with the hub hole in the tub bottom. If dishwasher was pulled from cabinet, reposition it to its original location.
- Open dishwasher door and install new spray arm through hole in tub bottom and into the pump connector by lining up the slots in the spray arm hub with the tabs on the tub bottom.
- Tighten hub until the pump connector and spray arm hub are firmly seated against the tub. The hub must be tight to prevent leaks. Note this process will shear off the tabs on the tub bottom.
- Turn the water and electrical power on. Run dishwasher and check for leaks. If leaks are found, turn off the electrical power to dishwasher, correct the cause of the leak and repeat test.
- Reinstall lower rack, toekick panel and access panel.