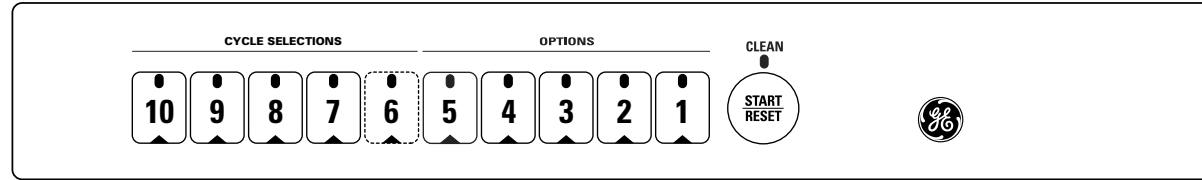


# 165D4756G339

THIS DISHWASHER IS PROGRAMMED WITH A SERVICE MODE TO AID THE TECHNICIAN IN TROUBLESHOOTING THE DISHWASHER. EACH COMPONENT MAY BE CYCLED TO DETECT IF IT IS FUNCTIONING CORRECTLY. COMPONENTS ARE CYCLED BY PRESSING KEYPADS TO THE LEFT OF THE START/RESET KEYPAD. USE THE MATRIX BELOW TO DETERMINE HOW TO CYCLE EACH COMPONENT.



**NOTE:** INDICATES KEYPAD USED ONLY ON SOME MODELS. WHILE THIS KEYPAD MAY NOT BE VISIBLE, THE INDICATED SPACE SHOULD ALWAYS BE USED AS A KEYPAD.

**TO ENTER SERVICE MODE :**  
PRESS KEYPAD #9 AND KEYPAD #1 SIMULTANEOUSLY FOR 5 SECONDS.

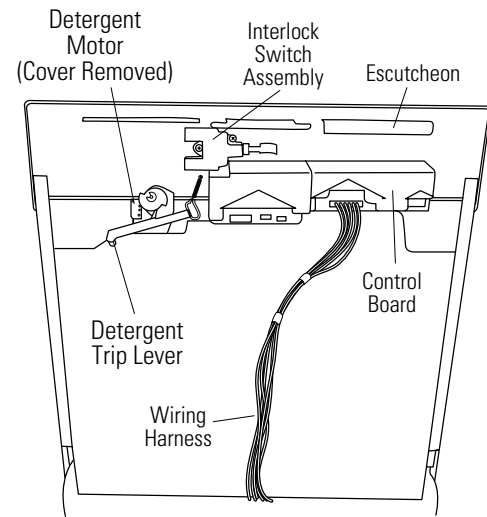
**TO EXIT SERVICE MODE :**  
PRESS THE START/RESET KEYPAD AT ANYTIME TO EXIT.

Service Mode Test Matrix*		
Keypad	Description	Time in Seconds**
10	Activates Main Pump	120
9	Activates Auxiliary Pump	60
	Activates Drain Solenoid	6
8	Activates Detergent Module	30
7	Activates Water Valve	60
6	Activates Heating Element	120
5	Activates Main Pump	120
START/RESET	Used to EXIT Service Mode	

**\*NOTE:** After 5 minutes of inactivity, the service mode will automatically turn off.

**\*\*NOTE:** When a component is activated in the SERVICE MODE, the output will continue to remain active (ON) until the Maximum time has expired or another keypad is pressed.

## DOOR COMPONENTS (CONTROLS)

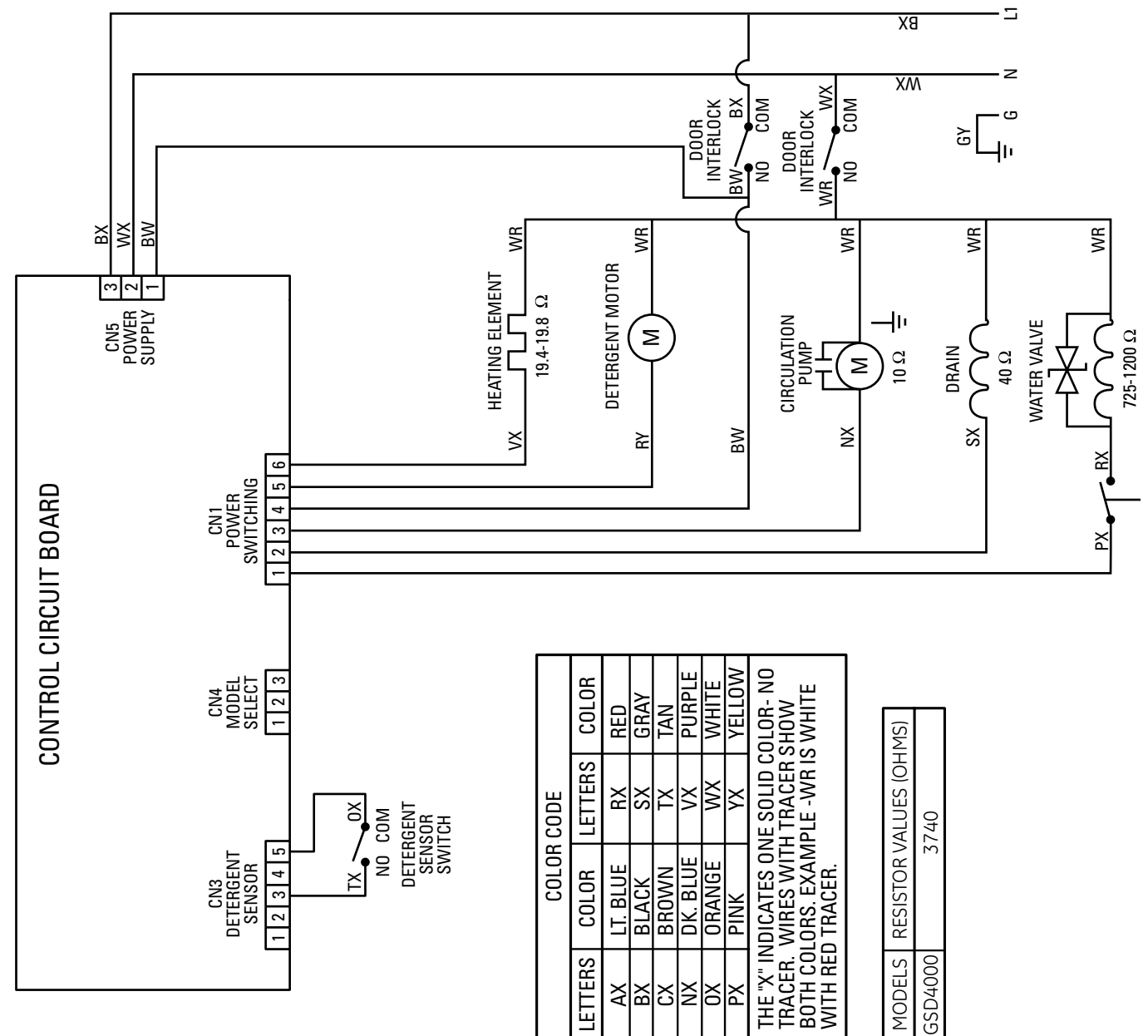


**NOTE:** Harness wire tie must be installed to prevent the harness from getting into Detergent Trip System.

CUSTOMER CUES		
Status Lights	What It Means	What To Do
	This is normal. The <b>START/RESET</b> pad has been pressed.	Allow the dishwasher to drain and reset for up to 90 seconds before you start a new wash cycle.
	<b>Control Error</b> The control is not being assigned to act as a particular model.	Press the <b>START/RESET</b> pad to turn off the beeper. Turn off circuit breaker for one minute. Turn breaker back on. If the <b>CLEAN</b> light continues to flash, call for service.

165D7628P002

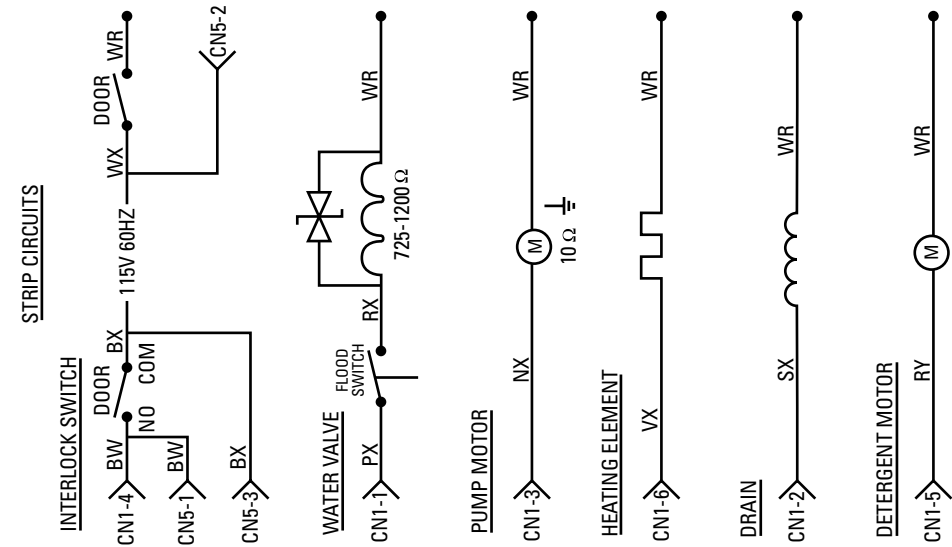
**WARNING:** POWER MUST BE DISCONNECTED BEFORE SERVICING THE APPLIANCE.



COLOR CODE		
LETTERS	COLOR	COLOR
AX	LT. BLUE	RED
BX	BLACK	GRAY
CX	BROWN	TAN
NX	DK. BLUE	PURPLE
OX	ORANGE	WHITE
PX	PINK	YELLOW

THE "X" INDICATES ONE SOLID COLOR - NO TRACER. WIRES WITH TRACER SHOW BOTH COLORS. EXAMPLE -WR IS WHITE WITH RED TRACER.

MODELS	RESISTOR VALUES (OHMS)
GSD4000	3740



# SERVICE INFORMATION – DO NOT REMOVE

## 165D8552P001

### IMPORTANT SAFETY NOTICE

THIS INFORMATION IS INTENDED FOR USE BY INDIVIDUALS POSSESSING ADEQUATE BACKGROUNDS OF ELECTRICAL, ELECTRONIC AND MECHANICAL EXPERIENCE. ANY ATTEMPT TO REPAIR A MAJOR APPLIANCE MAY RESULT IN PERSONAL INJURY AND PROPERTY DAMAGE. THE MANUFACTURER OR SELLER CANNOT BE RESPONSIBLE FOR THE INTERPRETATION OF THIS INFORMATION, NOR CAN IT ASSUME ANY LIABILITY IN CONNECTION WITH ITS USE.

### DISCONNECT POWER BEFORE SERVICING

#### IMPORTANT – RECONNECT ALL GROUNDING DEVICES

IF GROUNDING WIRES, SCREWS, STRAPS, CLIPS, NUTS OR WASHERS USED TO COMPLETE A PATH TO GROUND ARE REMOVED FOR SERVICE, THEY MUST BE RETURNED TO THEIR ORIGINAL POSITION AND PROPERLY FASTENED.



### WARNING

Certain internal parts are intentionally not grounded and may present a risk of electric shock only during servicing. Service personnel – **DO NOT** contact the following parts while the appliance is energized: **Calrod® element, water valve, drain solenoid, capacitor and auxiliary pump, and active vent motor (if present).**

### WASHABILITY COMPLAINTS

**Hot Water** – Ample supply of water at 120°F minimum temperature is necessary. Do not use dishwasher soon after using clothes washer, or filling bathtub.

**Loading** – Consult Owner's Manual on loading procedures.

**Amount of Water** – Make certain dishwasher is level. Allow dishwasher to fill normally for the first fill and drain completely. Allow dishwasher to complete the second fill and check water level. Water should cover the bottom of the flood float cover. If water level is low, check for clogged screen in water valve, and check float switch.

**Detergent Cup Leakage** – Some moisture in cup is normal. It must not be soaking wet and oozing out and down the inner door panel. Refer to section on detergent cup if leaking.

**Proper Amount of Detergent** – Use full detergent cup of fresh detergent in hard water. Use only enough detergent to get good wash performance in soft water.

**Rinse Agent** – Use rinse agent if spotting is a problem.

**Water Valve** – Check valve for intermittent operation. Valve coil can be tested directly.

**Spray Arm** – Check to be sure spray arm spins freely and jets are not clogged.

### FILTER AND DRAIN SYSTEM

#### Will Not Pump Out

1. Check routing of hose system. It must be free from kinks.
2. Check for blocked or partially blocked drain line and air gap.
3. Check operation of ball. Ball should be up in drain and down in circulation.

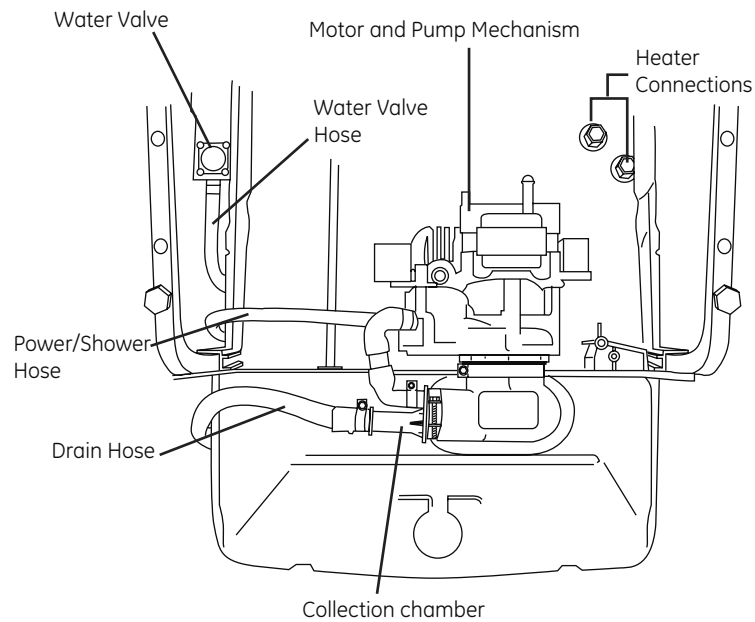
### MOTOR-PUMP MECHANISM

#### Motor Stalled-Hums

1. Disconnect Power. Try to turn motor shaft clockwise to determine if seal is stuck and can be broken loose. If motor shaft cannot be turned, cutter blade may be bound up. Proceed to step 2.
2. On inside of dishwasher, remove sump cover. Remove the cap in sump and reach down into the sump. Check for blockages such as bone, wire ties, etc. If it contains debris, clean thoroughly. If motor shaft cannot be turned, remove mechanism.

#### To Remove Motor-Pump Mechanism:

1. Remove sump cover and cap. Remove all water from sump with syringe.
2. Loosen sump boot clamp. Loosen clamp from spray arm connector boot.
3. Remove hanger that holds motor to tub frame.
4. Motor-pump mechanism can now be removed from under dishwasher.



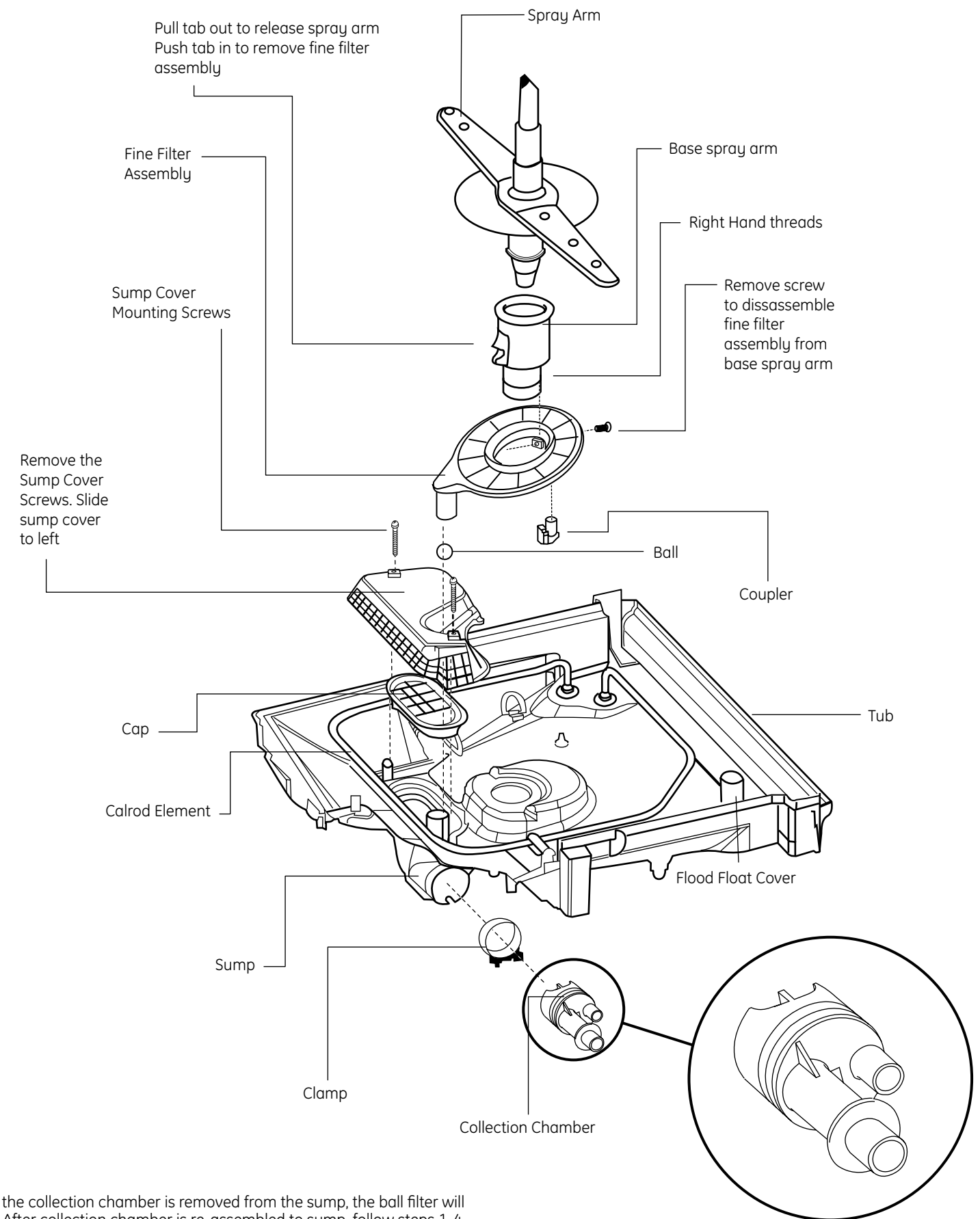
#### To Remove Calrod Element:

1. Disconnect Power and remove terminals.
2. Unscrew two Calrod nuts.
3. Remove Calrod supports.
4. Lift and remove the Calrod.

#### To Remove Fine Filter Assembly

1. Remove lower rack from Dishwasher.
2. Gently pull tab back on base spray arm and lift the spray arm up and out.
3. Remove the screw (Hex-Head 1/4 inch) that connects the base spray arm to fine filter assembly.
4. Gently push the tab in to lift the fine filter assembly up and out.
5. Clean fine filter screen if soil is present.
6. Ensure that ball is clean and not blocked. It should move up and down freely.
7. To reinstall fine filter and lower spray arm reverse procedure.

**NOTE:** When installing fine filter make sure the drain port of the fine filter is engaged to the vertical drain port of sump with ball in-between.



**Note:** If the collection chamber is removed from the sump, the ball filter will fall out. After collection chamber is re-assembled to sump, follow steps 1-4 on the fine-filter removal procedure and then drop the ball back into the sump tube to re-seat the ball.