

GE Consumer & Industrial Service Bulletin

LAUNDRY - HYDROWAVE WASHERS HL 01-09

JANUARY 2009

OPEN COIL ON MODE SHIFTER ASSEMBLY

Symptoms:

- Wash basket spins in agitate
- Excessive splashing sound

These symptoms can be caused by the motor inverter sending excessive current to the mode shifter coil and opening the coil circuit.

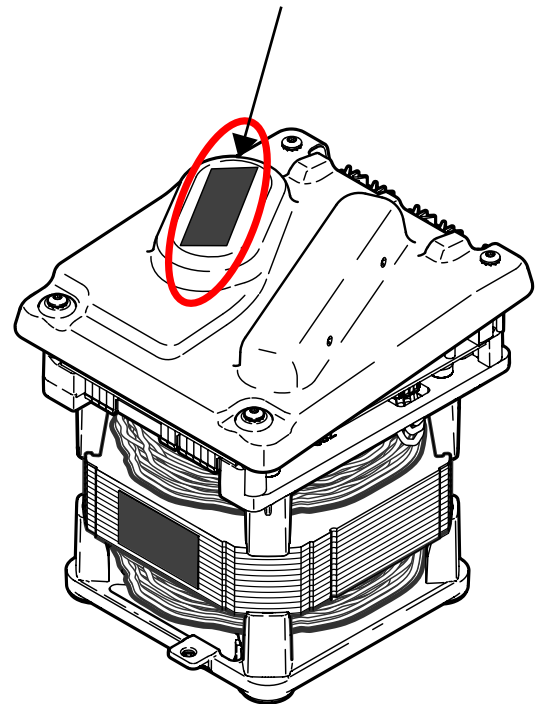
This can occur if the customer has lifted the lid during disengage and lifts the lid again during engage for agitate or rinse. Note that some models engage the mode shifter during the fill portion of the cycle.

Check the resistance of the mode shifter coil. If there is no resistance, the coil is open and the mode shifter assembly must be replaced. In addition to the mode shifter, replace the motor inverter assembly if the part number on the motor label is one of the following:

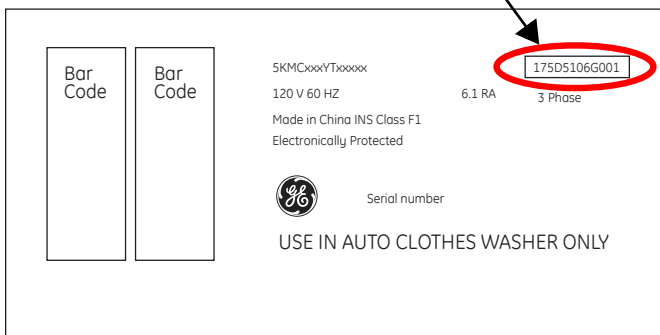
175D5106G014
175D5106G015
175D5106G016
175D5106G026
175D5106G027
175D5106G028
175D5106G029
175D5106G030
175D5106G031

NOTE: Some motor inverter assemblies have a second label on the top cover with a different part number. Always use this top label (if present) to determine the current motor inverter assembly part number.

Part Number



Part Number



Motor Inverter Label



GE Appliances
General Electric Company
Louisville, Kentucky 40225

GE CONFIDENTIAL AND PROPRIETARY INFORMATION—NOT FOR PUBLIC DISCLOSURE

Hydrowave Motor Inverter Chart

Model Type	Original Motor		Replacement Motor		
	Label Color	Drawing Number	Part Number	Label Color	Drawing Number
Single-speed electromechanical WCSR2090 models (G1 and later) (ex. WCSR2090 G1 WW)	Blue	175D5106G002	WH20X10036	Blue	175D5106G008
	Blue	175D5106G008	WH20X10044	Blue	175D5106G029
	Blue	175D5106G013			
	Blue	175D5106G028			
Two-speed electromechanical (ex. WBSR3140 G1 WW) F3 commercial models (ex. WCCB1030 F3 WC)	White	175D5106G001	WH20X10030	White	175D5106G001
	White	175D5106G007	WH20X10035	White	175D5106G007
	White	175D5106G010	WH20X10043	White	175D5106G027
	White	175D5106G026	WH20X10051	White	175D5106G037
	White	175D5106G036			
2006 & 2007 Electronic 2007 Energy Star	Yellow	175D5106G004	WH20X10034*	Yellow	175D5106G004
	Yellow	175D5106G009	WH20X10037*	Yellow	175D5106G009
	Yellow	175D5106G011	WH20X10041	Red	175D5106G014
	Red	175D5106G015	WH20X10045	Yellow	175D5106G031
	Yellow	175D5106G030	WH20X10052	Yellow	175D5106G039
	Yellow	175D5106G038			
2008 Electronic 2008 Energy Star	Red	175D5106G014	WH20X10041	Red	175D5106G014
	Red	175D5106G015	WH20X10045	Yellow	175D5106G031
	Yellow	175D5106G021	WH20X10052	Yellow	175D5106G039
	Yellow	175D5106G022			
	Yellow	175D5106G030			
	Yellow	175D5106G038			
Commercial H models (ex. WMCD2050 H2 WC)	Green	175D5106G016	WH20X10040	Green	175D5106G016
	Green	175D5106G034	WH20X10047	Green	175D5106G034
	Green	175D5106G040	WH20X10053	Green	175D5106G040
International 240V	Orange	175D5106G005	WH20X10033	Orange	175D5106G005
	Orange	175D5106G012	WH20X10046	Orange	175D5106G033
	Orange	175D5106G032			

NOTE: The replacement part number in **BOLD** is the latest supersedure for that model type.

* Do not use the older yellow label motors (WH20X10034 or WH20X10037) to replace a new version red or yellow original motor (175D5106G011, G014, G015, G021, G022, G030, G031, G038, G039)